

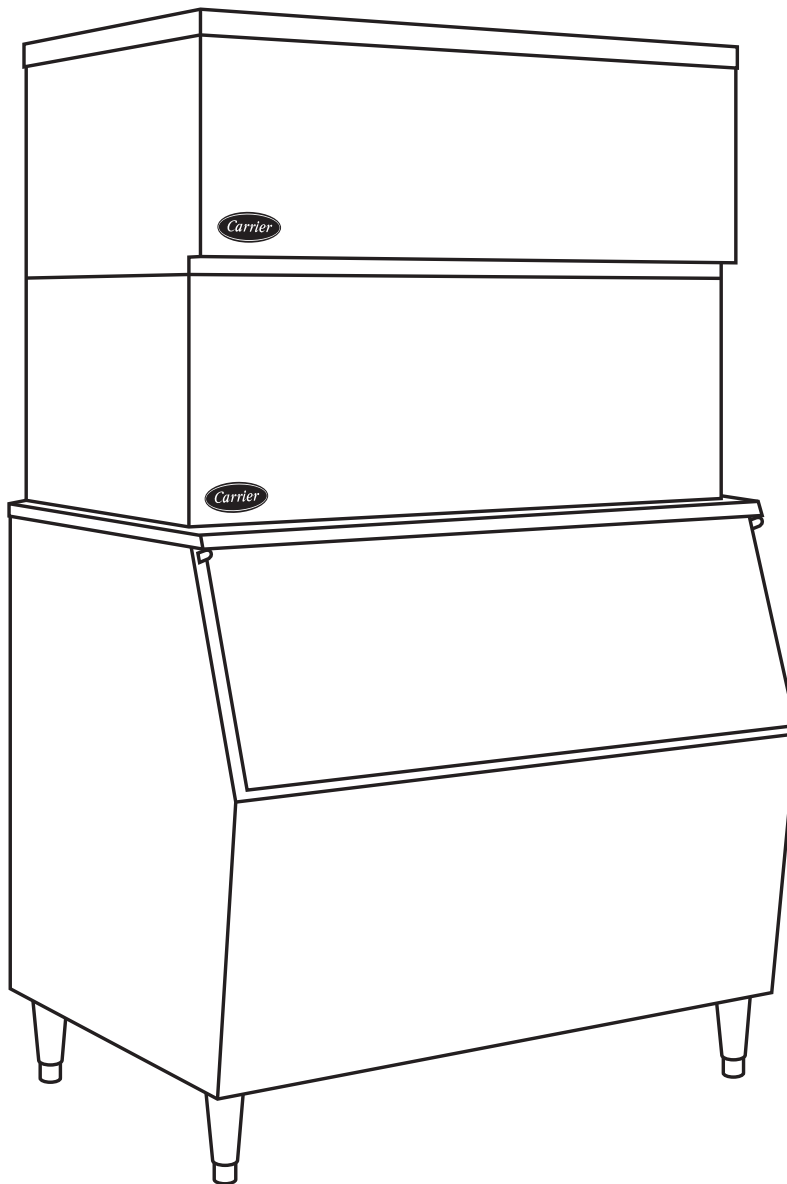


REFRIGERATION PARTNER



Multiplexing Installation Instructions

for Carrier 26CB450, 650 and 1250 Series Ice Machines

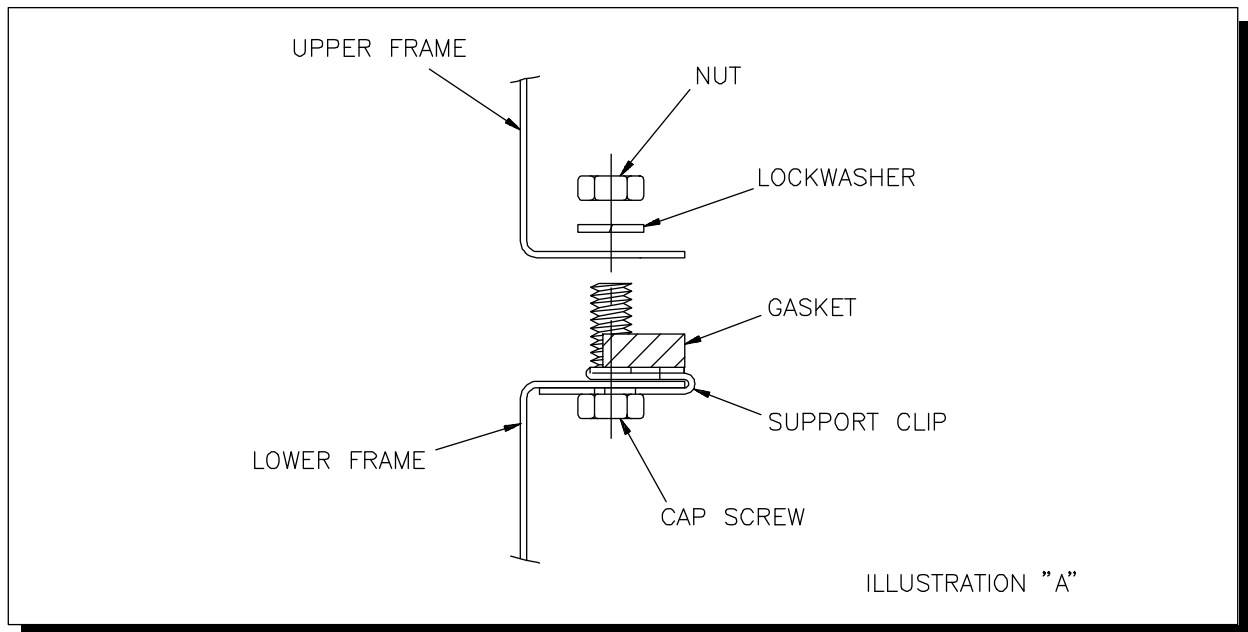


26CB SERIES STACKING INSTRUCTIONS

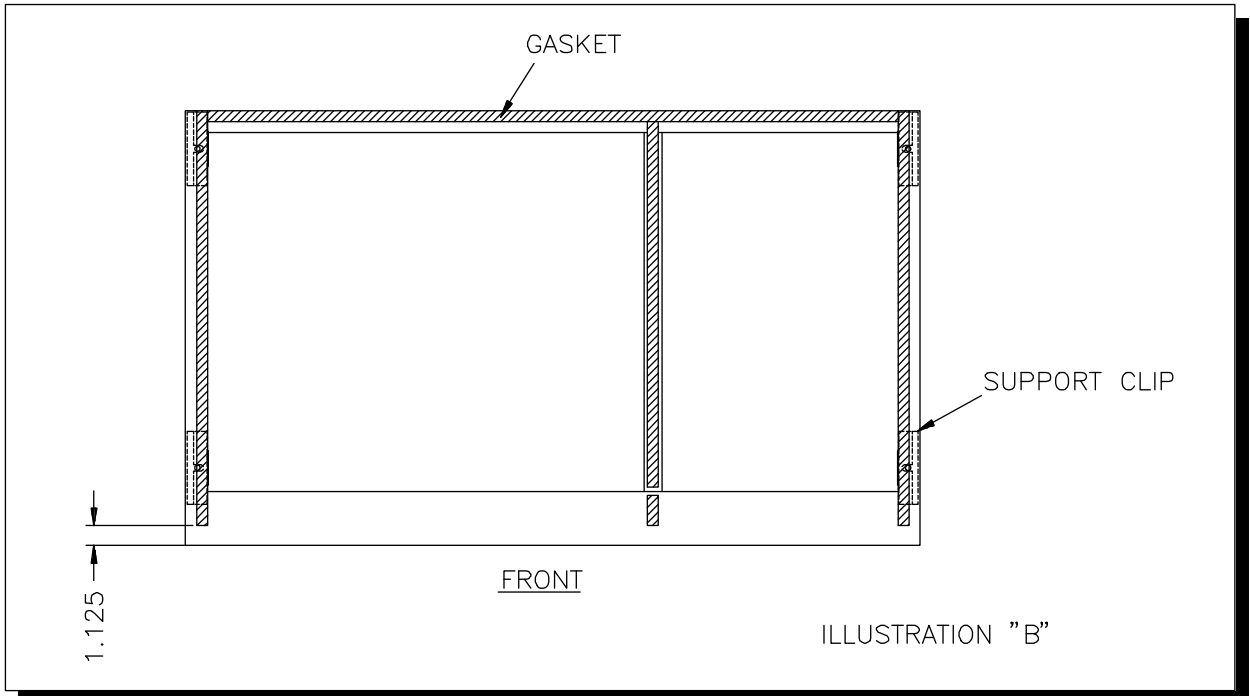
CAUTION:

- ◆ RISK OF PERSONAL INJURY, PROPERTY DAMAGE, EQUIPMENT FAILURE, OR FIRE.
- ◆ Refer all maintenance to qualified personnel.
- ◆ Never operate this equipment with covers, panels, or other parts removed or not properly secured.
- ◆ Use a suitable lifting means and be careful of sharp edges.

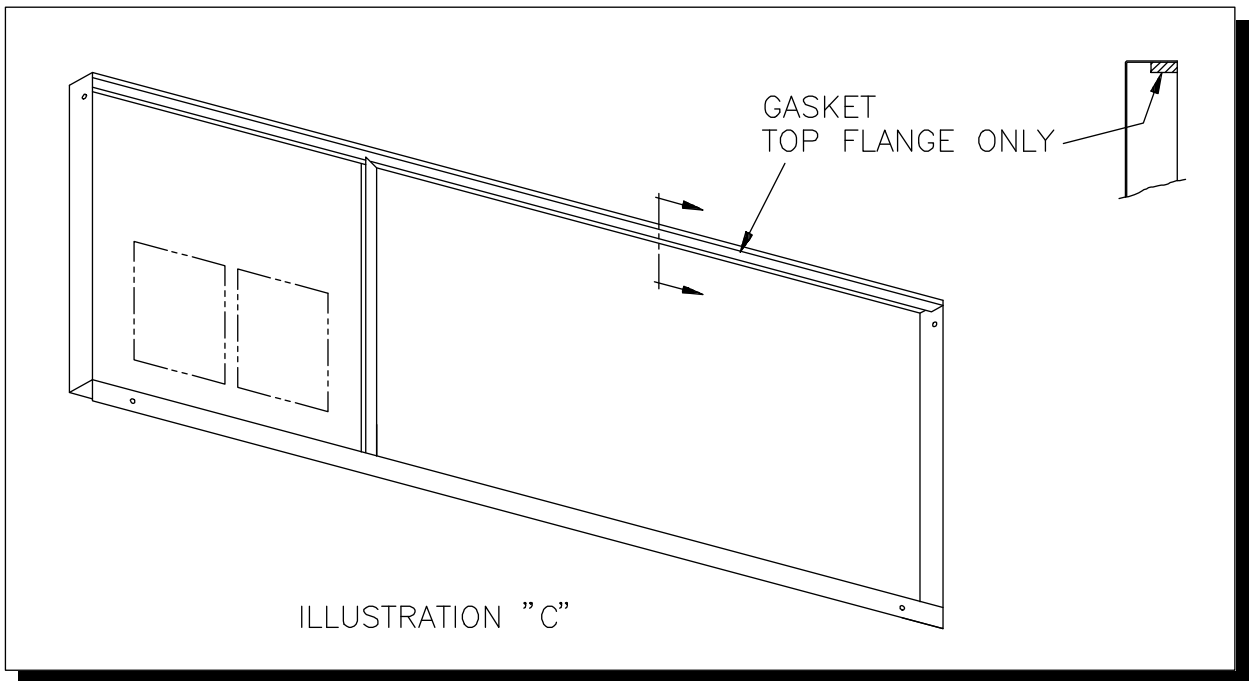
1. Remove cabinet panels from upper and lower ice makers.
2. Mount support clips on top side flanges of lower ice maker frame and position so the clip holes are aligned with the holes in the frame. (See Illustration "A") The lower flange of the front support clips must slide into the space between the top side flange of the ice maker and the top flange of the electrical box.



3. Apply gasket supplied with stacking kit to lower ice maker frame and cut to fit. (See Illustration "B") Place gasket over the support clips already in position and pierce the gasket where it covers the mounting holes.



4. Apply gasket to the top inside flange of the lower ice maker front cabinet panel.
(See Illustration "C")



5. Position upper ice maker on lower unit and align mounting holes. Install cap screws, lock washers and nuts. (See Illustration "A") **CAUTION:** Support upper unit until all fasteners are secured.
6. Install the upper ice maker drain pan and ice chute. Connect the drain hose elbow assembly to the drain pan and route the drain hose through the rear of the lower ice maker.
7. Route the upper ice maker bin thermostat capillary tube or probe wire down to the lower ice maker for positioning. (**NOTE-** If the top machine is a 26CB unit, open the 1-3/32" dia. knockout in the condensing unit pan and install the grommet provided.) Keep the capillary tube or wire toward the front of partition wall out of the path of falling ice.
8. The stainless steel Multiplex Ice Chute provided with C102 1207 01 CB Model Stacking Kits is to be installed (except the TOP cuber) in the stack. Install the Multiplex Ice Chute (see additional instructions provided) and side cabinet panels.
9. Follow start-up instructions, included with ice maker, to complete the installation.