

CARLYLE REFRIGERATION COMPRESSORS

GENERAL NOTES on Refrigeration Screw Compressors 05T & 06T

Compressors are shipped with service valves attached to the compressor pallet and have blankoff pads bolted over service valve openings. Alternate suction and discharge service valves are available.

All 06T screw compressors are suitable for across-the-line or part winding start. Customer is required to hook up terminal plate for applicable voltage. Wiring diagrams and jumpers are included in the compressor terminal box. Compressor part number on nameplate is the same as the package ordering number.

All 05T and 06T compressors:

- a. Are dehydrated and have a dry air holding charge.
- b. Have no oil charge. Oil must be added to fill the entire oil system from the oil solenoid at compressor back to the oil separator.

Carlyle requires the following accessories to protect both 05T and 06T compressors:

- oil separator
- oil filter housing
- oil pressure differential switch
- high pressure switch
- oil level switch
- reverse rotation protection switch
- Carlyle Electronic Module
- low pressure switch

The 05T Compressor further requires:

- C-Flange
- coupling

06T screw compressors provided WITHOUT motor overcurrent protection, which MUST be supplied by the customer. Heinemann calibrated circuit breakers specifically selected for each motor and voltage are a required accessory. All 06T compressor models are UL and CSA approved. The use of authorized overcurrent protection is part of UL recognition.

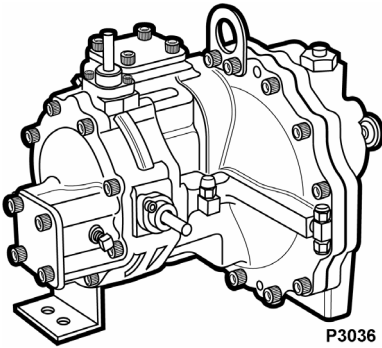
All 06T compressors are provided with a 5K thermistor installed in the compressor motor to monitor the motor temperature. The CEM is required with **each** 06T to monitor this thermistor.

All compressors are painted green.

CARLYLE REFRIGERATION COMPRESSORS

05T (74 mm) SCREW COMPRESSOR

CARLYLE REFRIGERATION COMPRESSORS



P3036

| | |
|-----------------------|--|
| Design Duty: | Commercial Refrigeration |
| Qualified For: | HCFC Refrigeration Duty HFC Refrigeration Duty R-22/407C Water Cooled Duty R-134a Air Cooled Duty |
| Capacities: | cfm @ 60 Hz 33 39 44 49 54 65 78 88 m ³ /hr @ 50 Hz |
| Economizer: | Optional on all models |
| Vi: | Dual Vi Option |
| Configuration: | Open Drive |
| Check Valve: | Integral |
| Oil Filter: | External |
| Motor Type: | External |

CARLYLE REFRIGERATION COMPRESSORS

OPEN DRIVE MODELS - For All Temperature Ranges With Service Valves

| MODEL NO | DISPLACEMENT (CFM) | | MOTOR HP | APPROX SHIP WEIGHT (kg) |
|------------------|--------------------|-------------------|----------|-------------------------|
| | 1750 RPM (4 pole) | 3500 RPM (4 pole) | | |
| 05TRQ033Z3EA-A00 | 33 | 65 | N/A | 91 |
| 05TRQ039Z3EA-A00 | 39 | 78 | N/A | 91 |
| 05TRQ044Z3EA-A00 | 44 | 88 | N/A | 91 |
| 05TRQ048Z3EA-A00 | 48 | N/A | N/A | 91 |
| 05TRQ054Z3EA-A00 | 54 | N/A | N/A | 91 |

NOTE: APPLICATION LIMITS.

- R-134a
 - Medium temperature
 - Air Conditioning
- R-22
 - Low temperature
 - Medium temperature
 - Air Conditioning
- R-404A/R-507
 - Low temperature
 - Medium temperature

ACCESSORIES FOR 05T MODELS

05T COUPLING PACKAGE

| COUPLING PKG | MOTOR SHAFT DIAMETER (in.) | 4 POLE MOTOR 1750 Rpm @ 60 Hz 1450 Rpm @ 50 Hz | | 2 POLE MOTOR 3500 Rpm @ 60 Hz 3000 Rpm @ 50 Hz | | APPROX. SHIP. WT (kg) |
|--------------|----------------------------|--|-----------------|--|--------------------------------|-----------------------|
| | | Hp | NEMA Frame Size | Hp | NEMA Frame Size | |
| 8TA0868B | 1 5/8 | 15, 20 | 254TC, 256TC | 30 | 286TC | 5 |
| 8TA0869B | 1 7/8 | 25, 30 | 284TC, 286TC | 40, 50 60, 75 | 324TSC, 326TSC, 364TSC, 365TSC | 5 |
| 8TA0870B | 2 1/8 | 40, 50 | 324TC, 326TC | N/A | N/A | 5 |

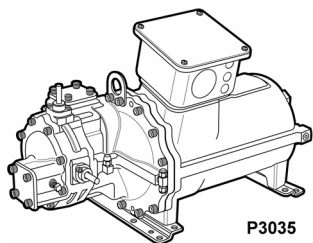
05T C-FLANGE PACKAGE

| C-FLANGE PKG | 4 POLE MOTOR 1750 Rpm @ 60 Hz 1450 Rpm @ 50 Hz | | 2 POLE MOTOR 3500 Rpm @ 60 Hz 3000 Rpm @ 50 Hz | | APPROX. SHIP. WT (kg) |
|--------------|--|----------------------------|--|---------------------------------------|-----------------------|
| | Hp | NEMA Frame Size | Hp | NEMA Frame Size | |
| 0TA0929 | 15, 20, 35, 30 | 254TC, 256TC, 284TC, 286TC | N/A | N/A | 25 |
| 0TA0930 | 25, 30 | 284TC, 286TC | N/A 60, 75 | N/A | 25 |
| 0TA0931 | N/A | N/A | 40, 50 60, 75 | 286TC, 324TSC, 226TSC, 364TSC, 365TSC | 25 |

CARLYLE REFRIGERATION COMPRESSORS

06T SCREW COMPRESSOR

CARLYLE REFRIGERATION COMPRESSORS

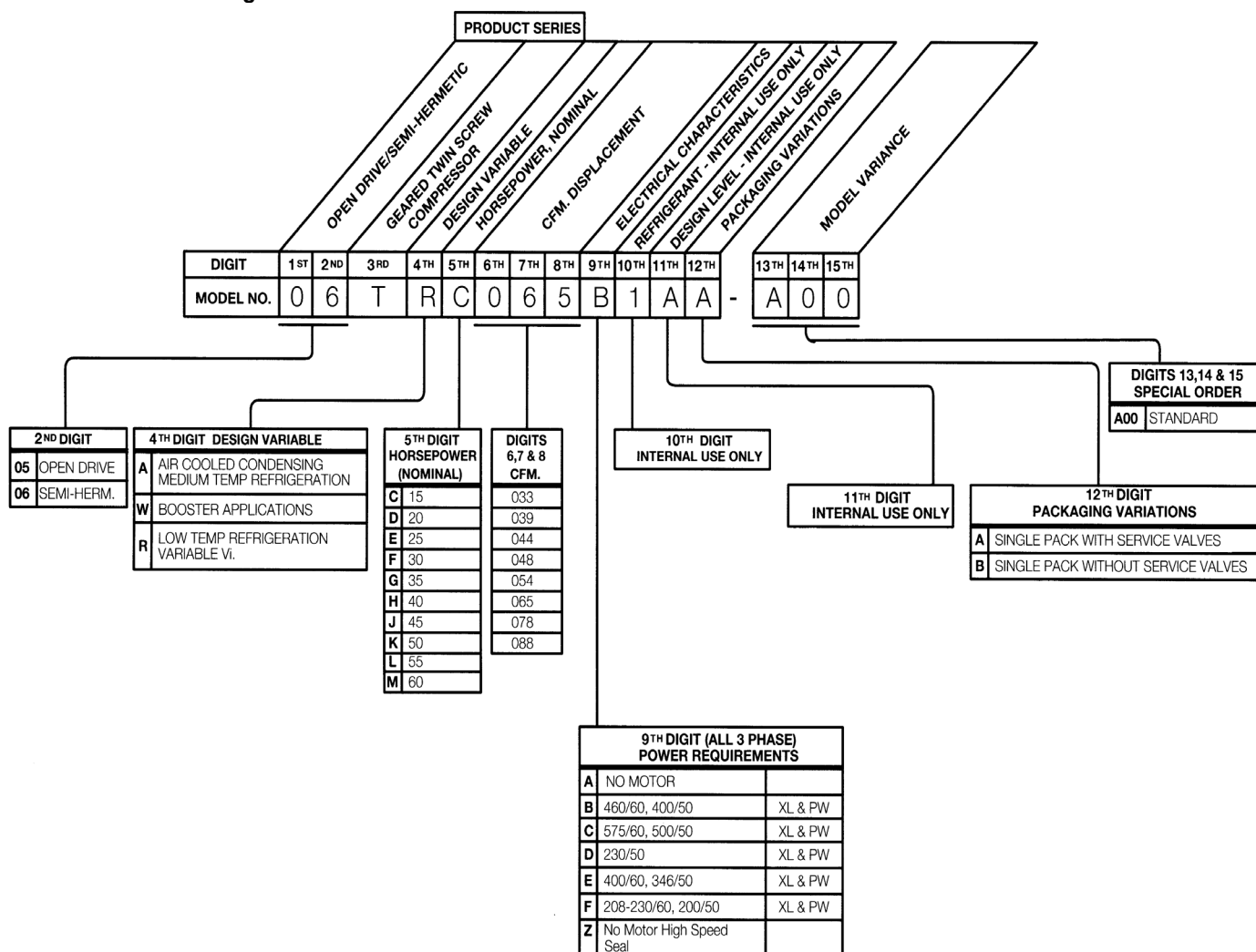


P3035

| CAPACITY (Btu/Hr) @ 60 Hz | | | | | |
|---------------------------|------------|------------|-----------|------------|-----------|
| Refrigerant | R-22 | R-507/404A | R-22 | R-507/404A | R-134a |
| Conditions† | -25/110/65 | -25/110/65 | 20/110/65 | 20/110/65 | 45/130/65 |
| 06T**033 | 51,000 | 70,900 | 131,500 | 143,100 | 127,900 |
| 06T**039 | 62,700 | 86,100 | 161,000 | 175,000 | 156,800 |
| 06T**044 | 72,100 | 98,900 | 182,800 | 199,000 | 177,700 |
| 06T**048 | 80,100 | 11,000 | 203,100 | 221,100 | 194,300 |
| 06T**054 | 91,900 | 126,100 | 233,100 | 253,700 | 222,800 |
| 06T**065 | 113,900 | 156,400 | 292,500 | 318,400 | 284,100 |
| 06T**078 | 140,200 | 192,000 | 354,300 | 385,700 | 342,400 |
| 06T**088 | 159,800 | 218,700 | 400,900 | 436,300 | 387,500 |

†Economized (°F).

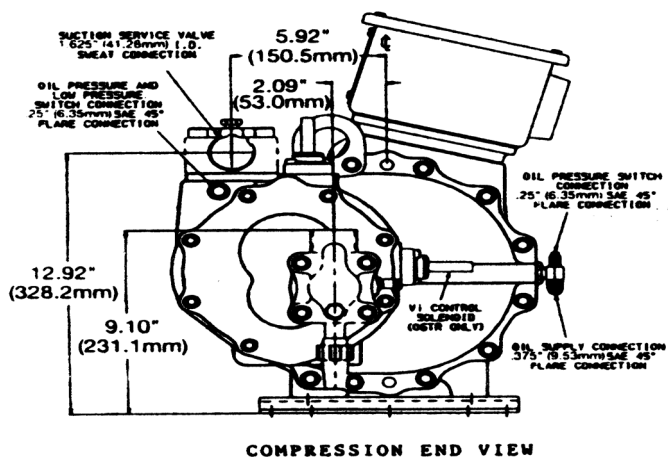
06T Model Number Significance



CARLYLE REFRIGERATION COMPRESSORS

COMPRESSOR PHYSICAL DIMENSIONS

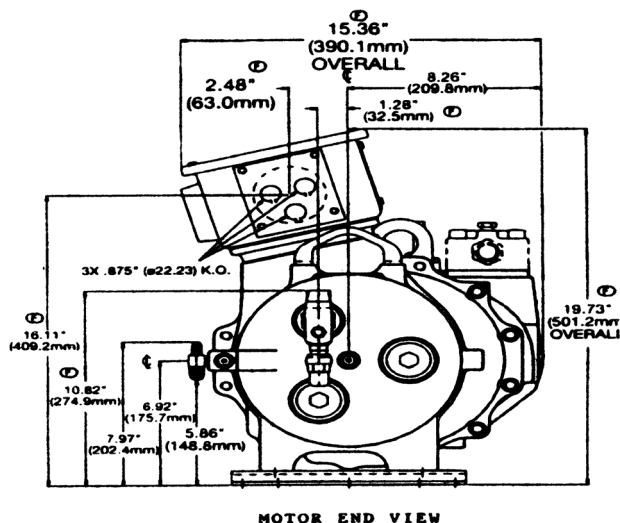
CARLYLE REFRIGERATION COMPRESSORS



COMPRESSION END VIEW

FOR REFERENCE ONLY
INCHES
[MILLIMETERS (mm)]

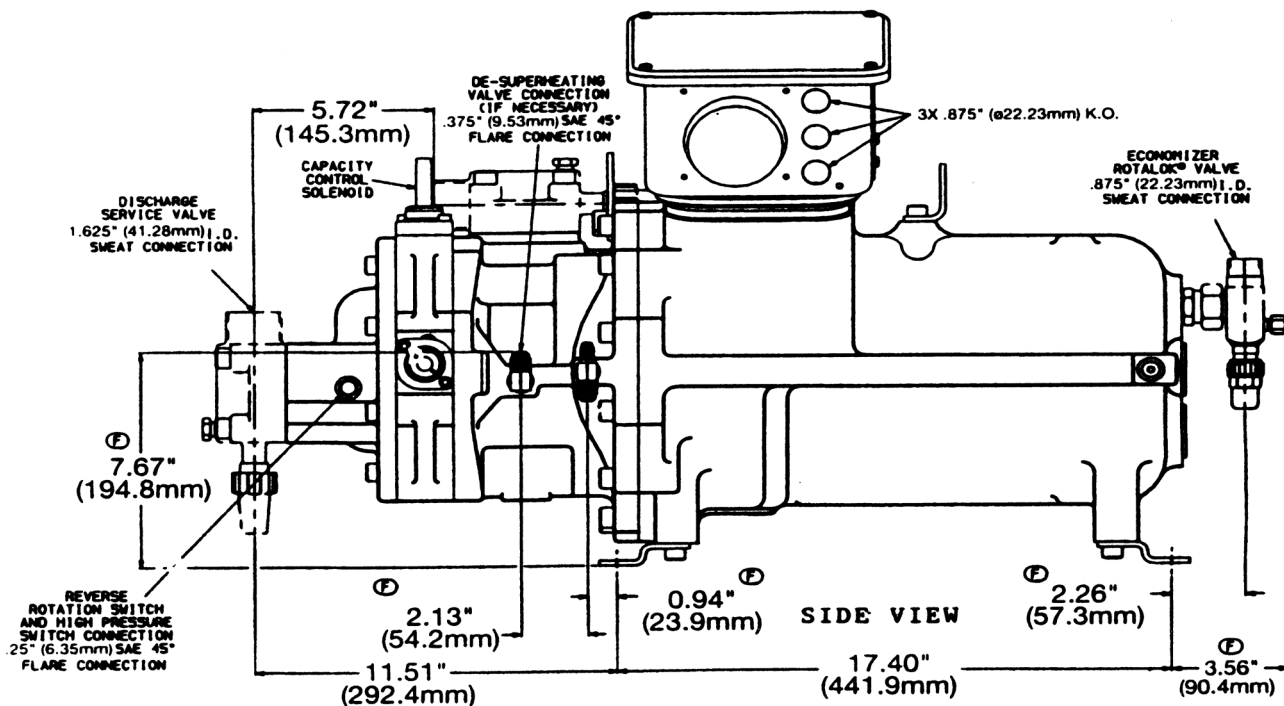
P3031



MOTOR END VIEW

FOR REFERENCE ONLY
INCHES
[MILLIMETERS (mm)]

P3032



SIDE VIEW

P3033

CARLYLE REFRIGERATION COMPRESSORS

LOW TEMPERATURE DUTY - Semi-Hermetic With Service Valves

CARLYLE REFRIGERATION COMPRESSORS

| MODEL NO. | VOLTAGE 3 PHASE | | MOTOR HP | APPROX. SHIP. WEIGHT (kg) |
|--|-----------------------|-----------------|-------------|---------------------------------|
| | 60 HZ | 50 HZ | | |
| 06TRC033B2EA-A00 F2EA-A00 C2EA-A00 | 460 208/230 575 | 400 200 - | 15 | 166 |
| 06TRD039B2EA-A00 F2EA-A00 C2EA-A00 | 460 208/230 575 | 400 200 - | 20 | 172 |
| 06TRD044B2EA-A00 F2EA-A00 C2EA-A00 | 460 208/230 575 | 400 200 - | 20 | 172 |
| 06TRE048B2EA-A00 F2EA-A00 C2EA-A00 | 460 208/230 575 | 400 200 - | 25 | 177 |
| 06TRE054B2EA-A00 F2EA-A00 C2EA-A00 | 460 208/230 575 | 400 200 - | 25 | 177 |
| 06TRF065B2EA-A00 F2EA-A00 C2EA-A00 | 460 208/230 575 | 400 200 - | 30 | 181 |
| 06TRG078B2EA-A00 F2EA-A00 C2EA-A00 | 460 208/230 575 | 400 200 - | 35 | 184 |
| 06TRH088B2EA-A00 F2EA-A00 C2EA-A00 | 460 208/230 575 | 400 200 - | 40 | 184 |
| 06TRK108B2EA-A00 NOTE: 50Hz Applications Only | n/a | 400 | 50 | 186 |

NOTE: APPLICATION LIMITS.

- R-134a - Medium temperature
- Air Conditioning
- R-22 - Low temperature

R-404A/R-507 - Low temperature

06TRK model satisfactory for use on high temp, medium temp and low temp applications.

CARLYLE REFRIGERATION COMPRESSORS

MEDIUM/HIGH TEMPERATURE DUTY - Semi-Hermetic With Service Valves

| MODEL NO. | VOLTAGE 3 PHASE | | MOTOR HP | APPROX. SHIP. WEIGHT (kg) |
|------------------|-----------------|-------|----------|---------------------------|
| | 60 HZ | 50 HZ | | |
| 06TAD033B2EA-A00 | 460 | 400 | 20 | 164 |
| F2EA-A00 | 208/230 | 200 | | |
| C2EA-A00 | 575 | - | | |
| 06TAE039B2EA-A00 | 460 | 400 | 25 | 171 |
| F2EA-A00 | 208/230 | 200 | | |
| C2EA-A00 | 575 | - | | |
| 06TAF044B2EA-A00 | 460 | 400 | 30 | 171 |
| F2EA-A00 | 208/230 | 200 | | |
| C2EA-A00 | 575 | - | | |
| 06TAF048B2EA-A00 | 460 | 400 | 30 | 176 |
| F2EA-A00 | 208/230 | 200 | | |
| C2EA-A00 | 575 | - | | |
| 06TAG054B2EA-A00 | 460 | 400 | 35 | 176 |
| F2EA-A00 | 208/230 | 200 | | |
| C2EA-A00 | 575 | - | | |
| 06TAG065B2EA-A00 | 460 | 400 | 35 | 180 |
| F2EA-A00 | 208/230 | 200 | | |
| C2EA-A00 | 575 | - | | |
| 06TAH078B2EA-A00 | 460 | 400 | 40 | 182 |
| F2EA-A00 | 208/230 | 200 | | |
| C2EA-A00 | 575 | - | | |
| 06TAK088B2EA-A00 | 460 | 400 | 50 | 187 |
| F2EA-A00 | 208/230 | 200 | | |
| C2EA-A00 | 575 | - | | |

NOTE: APPLICATION LIMITS.

- R-22 - Medium temperature
- Air Conditioning (High Temperature)
- R-404A/R-507 - Medium temperature

CARLYLE REFRIGERATION COMPRESSOR ACCESSORIES

05T/06T REFRIGERATION COMPRESSOR ACCESSORIES

ELECTRONIC PHASE MONITOR (REVERSE ROTATION PROTECTION)

(1 Package Per Compressor Recommended)

| PART NO | QTY/PKG | WEIGHT (kg) | USAGE |
|-----------|---------|-------------|-----------------------|
| P251-0090 | 1 | 1.5 | ALL 05/6T compressors |

NOTES:

1. Protects screw compressor from reverse rotation by monitoring 3-phase input power to compressor motor. Will not let compressor start if sequence is incorrect.
2. This phase monitor will not operate with a variable speed drive inverter.
3. May be used in place of reverse rotation switch; (1) per compressor.

RUBBER ISOLATION MOUNTS

(1 Package Per Compressor Recommended)

| PART NO | QTY/PKG | WEIGHT (kg) | USAGE |
|-----------|---------|-------------|-----------------------|
| KA75KR002 | 4 | 0.5 | ALL 05/6T compressors |

MUFFLERS

(1 Per Compressor Required)

| PART NO | QTY/PKG | WEIGHT (kg) | INLET/OUT | LENGTH | USAGE |
|-----------|---------|-------------|-----------|--------|----------------------|
| LM10HH162 | 1 | 3 | 1-5/8" | 9-3/4" | All 05/6T compressor |

OIL SEPARATORS

(1 Per Rack Required)

| PART NO | MOUNTING | LINE SIZE | WEIGHT (kg) | DIA | USAGE |
|-----------|----------|-----------|-------------|-----|----------------|
| KH31ZZ340 | VERTICAL | 2-1/8" | 66 | 12" | Single Comp. |
| KH31ZZ212 | VERTICAL | 2-5/8" | 120 | 14" | Multiple Comp. |

NOTES:

1. Oil Separators supplied with multiple sight glasses to view oil level.
2. Oil Separators has adapter fitting at bottom to connect KH13LB004 Oil Level Float Switch.

CARLYLE REFRIGERATION COMPRESSOR ACCESSORIES

05T/06T REFRIGERATION COMPRESSOR ACCESSORIES

OIL LEVEL SWITCH

(1 Per Oil Separator Required)

| PART NO | QTY/PKG | WEIGHT (kg) | USAGE |
|-----------|---------|-------------|----------------------------|
| HK13LB004 | 1 | 0.5 | On vertical oil separators |

NOTE:

1. Protects compressor against loss of oil in Oil Separator. Screws into bottom.

HEATER FOR OIL SEPARATOR / OIL RESERVOIR

(2 Per Oil Separator Recommended)

| PART NO | QTY/PKG | WEIGHT (kg) | ELECTRICAL CHARACTERISTICS | |
|-----------|---------|-------------|----------------------------|-------|
| | | | VOLTS | WATTS |
| HK38KN007 | 1 | 0.5 | 115/230 | 500 |

NOTE:

1. Heater applied to oil separator to keep refrigerant from accumulating in it during off cycles.

See application guide for application requirements.

AIR-COOLED OIL COOLERS

(See Application Guide for Requirements)

| PART NO | NO OF COMPS@ LOAD | WEIGHT (kg) | ELECTRICAL CHARACTERISTICS | |
|-----------|-------------------|-------------|----------------------------|----------|
| | | | VOLTS - PH | HZ |
| KH51ZZ181 | 2 | 23 | 115/230 V - 1 PH | 60/50 HZ |
| KH51ZZ182 | 3 | 57 | 115/230 V - 1 PH | 60/50 HZ |
| KH51ZZ183 | 4 | 91 | 115/230 V - 1 PH | 60/50 HZ |
| KH51ZZ184 | 5 | 98 | 115/230 V - 1 PH | 60/50 HZ |

OIL FILTER HOUSING ASSEMBLY

(2 Per Rack Required)

| PART NO | QTY/PKG | WEIGHT (kg) | CONNECTION TYPE | USAGE |
|-----------|---------|-------------|-----------------|-----------------------|
| KH18MG002 | 1 | 4 | 7/8" Sweat | All 05/6T Compressors |

NOTES:

1. Oil Housing which allows replacement of filter cartridge.
2. Filter Housing assembly includes (1) 3 micron filter cartridge.
3. (2) per rack recommended.

CARLYLE REFRIGERATION COMPRESSOR ACCESSORIES

05T/06T REFRIGERATION COMPRESSOR ACCESSORIES

OIL FILTER CARTRIDGE

| PART NO | QTY/PKG | WEIGHT (kg) | USAGE |
|-----------|---------|-------------|---|
| KH39MG002 | 1 | 0.5 | Replacement Cartridge for KH18MG002 housing |

NOTE:

1. Carlyle recommends (3) cartridges be left at the job site per oil filter housing.
Several changeouts will be necessary before the system is free of contaminant.
If the job is a remodel, more changeouts may be necessary.
2. Each cartridge is supplied with (1) filter housing O ring.

DESUPERHEATING VALVES

(1 Per Compressor for R-22 <-32°C & R-404A/R507 <-43°C SST Systems)

| PART NO | QTY/PKG | WEIGHT (kg) | SIZE | USAGE |
|-----------|---------|-------------|---------|-----------------------|
| EA02ZD001 | 1 | 1 | 1 ton | All 05/6T Compressors |
| EA02ZD002 | 1 | 1 | 1.5 ton | All 05/6T Compressors |
| EA02ZD030 | 1 | 1 | 2 ton | All 05/6T Compressors |
| EA02ZD050 | 1 | 1 | 3 ton | All 05/6T Compressors |
| EA02ZD100 | 1 | 1 | 5 ton | All 05/6T Compressors |

SOLENOID COILS - FOR UNLOADING AND Vi CONTROL

**(1 Per 06TA Compressor Required)
(2 Per 05TR/6TR Compressor Required)**

| PART NO | QTY/PKG | WEIGHT (kg) | ELECTRICAL | USAGE |
|-----------|---------|-------------|-----------------|-----------------------|
| EF19ZE120 | 1 | 0.5 | 120-1-50/60 | All 05/6T Compressors |
| EF19ZE240 | 1 | 0.5 | 208/240-1-50/60 | All 05/6T Compressors |
| EF19ZE024 | 1 | 0.5 | 24-1-50/60 | All 05/6T Compressors |

NOTES:

1. Solenoid Coil operates either capacity control unloading mechanism or variable volume (Vi) control.
2. 06TR Models require (2) per compressor, 06TA models require (1) per compressor.

CARLYLE ELECTRONIC MODULE (CEM)

(1 Per Compressor Required)

| PART NO | QTY/PKG | WEIGHT (kg) | ELECTRICAL | USAGE |
|----------|---------|-------------|----------------------------|-----------------------|
| 3TA0796B | 1 | 0.5 | 120/240-1-60, 100/200-1-50 | All 05/6T Compressors |

NOTES:

1. Module uses (2) 5K Thermistors, (1) embedded in motor windings and (1) strapped on discharge line (thermistor purchased separately.)
2. The modules control motors and discharge cooling and acts as a safety for overheating protection.

CARLYLE REFRIGERATION COMPRESSOR ACCESSORIES

05T/06T REFRIGERATION COMPRESSOR ACCESSORIES

5K THERMISTOR

(1 Per Compressor Required)

| PART NO | QTY/PKG | WEIGHT (kg) | ELECTRICAL | USAGE |
|-----------|---------|-------------|--------------|-----------------------|
| HH79NZ065 | 1 | 0.5 | 115/240-1-60 | All 05/6T Compressors |

NOTE: One required per compressor for use with CEM to monitor discharge temperature.

MOTOR COOLING VALVES

(1 Per Compressor Required)

| PART NO | QTY/PKG | WEIGHT (kg) | EVAP SIZE | USAGE |
|-----------|---------|-------------|-----------|-----------------------|
| EF28BZ007 | 1 | 0.5 | 1.4 | All 05/6T Compressors |

NOTE: Used for motor and discharge gas cooling of screw compressors.

SOLENOID COILS FOR MOTOR COOLING VALVES

(1 Per Compressor Required)

| PART NO | QTY/PKG | WEIGHT (kg) | ELECTRICAL | USAGE |
|-------------|---------|-------------|-----------------|-----------------------|
| P510-XV120D | 1 | 0.5 | 120-1-50/60 | All 05/6T Compressors |
| P510-XV208D | 1 | 0.5 | 208/240-1-50/60 | All 05/6T Compressors |
| P510-XV024D | 1 | 0.5 | 24-1-50/60 | All 05/6T Compressors |

REVERSE ROTATION PROTECTION SWITCH

(1 Per Compressor Required)

| PART NO | QTY/PKG | WEIGHT (kg) | USAGE |
|-----------|---------|-------------|-----------------------|
| HK01CB002 | 1 | 1 | All 05/6T Compressors |

NOTE: Protects screw compressor from reverse rotation.

CARLYLE REFRIGERATION COMPRESSOR ACCESSORIES

05T/06T REFRIGERATION COMPRESSOR ACCESSORIES

OIL PRESSURE DIFFERENTIAL SWITCH

(1 Per Compressor Required)

| PART NO | QTY/PKG | WEIGHT (kg) | CONNECTION TYPE | VOLTAGE INPUT | USAGE |
|-----------|---------|-------------|-----------------|---------------|-----------------------|
| HH79NZ065 | 1 | 0.5 | 1/4" FLARE | 115 or 230 | ALL 05/6T compressors |

NOTES:

1. Senses oil differential between discharge pressure and oil feed to the compressor.
2. Switch setting is for cutout when differential pressure above (45 psid) and has a 30 second time delay.

OIL FILTER DIFFERENTIAL SWITCH

| PART NO | QTY/PKG | WEIGHT (kg) | CONNECTION TYPE | VOLTAGE INPUT | USAGE |
|-----------|---------|-------------|-----------------|---------------|-----------------------|
| HK06CA051 | 1 | 2 | 1/4" FLARE | 115 or 230 | ALL 05/6T compressors |

(1 Per Oil System Recommended)

NOTES:

1. Senses oil differential across filters.
2. Switch setting is for cutout when differential pressure exceeds 45 psid and has a 30 second time delay.

SUCTION AND DISCHARGE SERVICE VALVE PACKAGES

| PART NO | QTY/PKG | WEIGHT (kg) | SIZE ODF | USAGE |
|------------|---------|-------------|----------|--|
| 06TA660001 | 1 | 2 | 1-5/8" | ALL 05/6T compressors 05T/06T 33, 39, 44, 48, 54 CFM |
| 06TA660002 | 1 | 2 | 1-3/8" | ALL 05/6T compressors 05T/06T 33, 39, 44, 48, 54 CFM |
| 06TA660003 | 1 | 2 | 1-1/8" | ALL 05/6T compressors 05T/06T 33, 39, 44, 48, 54 CFM |
| 06TA680008 | 1 | 2 | 1-5/8" | ALL 05/6T compressors 05T/06T 65, 78, 88 CFM |

NOTES:

1. All service Valves are 4 bolt, 2-1/2" square bolt spacing. Service Valve Package contains (1) service valve, (1) gasket, and (4) metric hex head cap screws (M12 x 1.75 x 60mm).
2. These Service Valve packages (except 06TA680008) are the same as the respective 06D/E packages except the mounting bolts have metric threads.

ECONOMIZER SERVICE VALVE

| PART NO | QTY/PKG | WEIGHT (kg) | SIZE ODF | USAGE |
|------------|---------|-------------|----------|-----------------------|
| 06TA660004 | 1 | 2 | 7/8" | ALL 05/6T compressors |

NOTES:

1. (1) 06TA660004 package is supplied with each compressor.
2. All Economizer Service Valve contain (1) Rotolock * valve, (1) O-ring, (1) seal, and (1) connection fitting.

CARLYLE REFRIGERATION COMPRESSOR ACCESSORIES

CARLYLE REFRIGERATION COMPRESSOR ACCESSORIES

06T REFRIGERATION COMPRESSOR ACCESSORIES

CALIBRATED CIRCUIT BREAKERS

(1 Per 06T Compressor)

| COMPRESSOR MODEL USAGE | VOLTAGE 3 PHASE | QTY/PKG | WEIGHT (kg) | CIRCUIT BREAKER |
|------------------------|---------------------|---------|-------------|-----------------|
| 06TRC033B2EA-A00 | 460-3-60 & 400-3-50 | 1 | 2 | HH83XA463 |
| F2EA-A00 | 230-3-60 & 200-3-50 | | 2 | HH83XB356 |
| C2EA-A00 | 575-3-60 | | 2 | HH83XA460 |
| 06TRD039B2EA-A00 | 460-3-60 & 400-3-50 | 1 | 2 | HH83XA424 |
| F2EA-A00 | 230-3-60 & 200-3-50 | | 2 | HH83XB336 |
| C2EA-A00 | 575-3-60 | | 2 | HH83XA461 |
| 06TRD044B2EA-A00 | 460-3-60 & 400-3-50 | 1 | 2 | HH83XA424 |
| F2EA-A00 | 230-3-60 & 200-3-50 | | 2 | HH83XB336 |
| C2EA-A00 | 575-3-60 | | 2 | HH83XA461 |
| 06TRE048B2EA-A00 | 460-3-60 & 400-3-50 | 1 | 2 | HH83XA426 |
| F2EA-A00 | 230-3-60 & 200-3-50 | | 3 | HH83XC509 |
| C2EA-A00 | 575-3-60 | | 2 | HH83XA469 |
| 06TRE054B2EA-A00 | 460-3-60 & 400-3-50 | 1 | 2 | HH83XA426 |
| F2EA-A00 | 230-3-60 & 200-3-50 | | 3 | HH83XC509 |
| C2EA-A00 | 575-3-60 | | 2 | HH83XA469 |
| 06TRF065B2EA-A00 | 460-3-60 & 400-3-50 | 1 | 2 | HH83XA474 |
| F2EA-A00 | 230-3-60 & 200-3-50 | | 3 | HH83XC573 |
| C2EA-A00 | 575-3-60 | | 2 | HH83XB617 |
| 06TRG078B2EA-A00 | 460-3-60 & 400-3-50 | 1 | 2 | HH83XA476 |
| F2EA-A00 | 230-3-60 & 200-3-50 | | 3 | HH83XC574 |
| C2EA-A00 | 575-3-60 | | 2 | HH83XB618 |
| 06TRH088B2EA-A00 | 460-3-60 & 400-3-50 | 1 | 2 | HH83XA476 |
| F2EA-A00 | 230-3-60 & 200-3-50 | | 3 | HH83XC575 |
| C2EA-A00 | 575-3-60 | | 2 | HH83XB619 |
| 06TRK108B2EA-A00 | 400-3-50 | 1 | 2 | HH83XA477 |

NOTES:

1. Circuit breaker selections are based on across-the-line start.
2. Over current protection required per General Note.
3. Heinemann circuit breaker not required with 05T compressor.

CARLYLE REFRIGERATION COMPRESSOR ACCESSORIES

06T REFRIGERATION COMPRESSOR ACCESSORIES

CALIBRATED CIRCUIT BREAKERS

CARLYLE REFRIGERATION COMPRESSOR ACCESSORIES

| COMPRESSOR MODEL USAGE | VOLTS-PH-HZ | QTY/PKG | WEIGHT (kg) | CIRCUIT BREAKER |
|--|--|---------|-------------|--|
| 06TAD033B2EA-A00 F2EA-A00 C2EA-A00 | 460-3-60 & 400-3-50 230-3-60 & 200-3-50 575-3-60 | 1 | 4 4 4 | HH83XA424 HH83XB336* or HH83XB625 HH83XA461 |
| 06TAE039B2EA-A00 F2EA-A00 C2EA-A00 | 460-3-60 & 400-3-50 230-3-60 & 200-3-50 575-3-60 | 1 | 4 4 4 | HH83XA426 HH83XC509 HH83XA469 |
| 06TAF044B2EA-A00 F2EA-A00 C2EA-A00 | 460-3-60 & 400-3-50 230-3-60 & 200-3-50 575-3-60 | 1 | 4 4 4 | HH83XA425 HH83XC539 HH83XA430 |
| 06TAF048B2EA-A00 F2EA-A00 C2EA-A00 | 460-3-60 & 400-3-50 230-3-60 & 200-3-50 575-3-60 | 1 | 4 4 4 | HH83XA425 HH83XC539 HH83XA430 |
| 06TAG054B2EA-A00 F2EA-A00 C2EA-A00 | 460-3-60 & 400-3-50 230-3-60 & 200-3-50 575-3-60 | 1 | 4 4 4 | HH83XA547 HH83XC532 HH83XA453 |
| 06TAG065B2EA-A00 F2EA-A00 C2EA-A00 | 460-3-60 & 400-3-50 230-3-60 & 200-3-50 575-3-60 | 1 | 4 6 4 | HH83XA475 HH83XC574 HH83XB618 |
| 06TAH078B2EA-A00 F2EA-A00 C2EA-A00 | 460-3-60 & 400-3-50 230-3-60 & 200-3-50 575-3-60 | 1 | 4 6 4 | HH83XA476 HH83XC575 HH83XB619 |
| 06TAK088B2EA-A00 F2EA-A00 C2EA-A00 | 460-3-60 & 400-3-50 230-3-60 & 200-3-50 575-3-60 | 1 | 4 6 4 | HH83XA477 HH83XC576 HH83XB610 |

*These breakers are supplied without compression lugs. Customer must provide connectors or use our Power Terminal Parts Connectors for HH83XB Circuit Breakers shown below.

NOTES:

1. Circuit breaker selections are based on across-the-line start.
2. Overcurrent protection required per General Note.
3. Heinemann circuit breaker not required with 05T compressor.

POWER TERMINAL PARTS CONNECTORS FOR HH83XB CIRCUIT BREAKER

| PART NO | APPROX SHIP WEIGHT (kg) | USAGE |
|------------|-------------------------|--------------|
| 06EA660152 | 0.5 | #1 - #2 Wire |
| 06EA660153 | 0.5 | #4 Wire |

HH83XB series circuit breakers require customer supplied power wire connections at circuit breaker.

Kit includes ring terminal, cap screws and lock washers.

Not required for XA, XC, C or B series circuit breakers.

TERMINAL PARTS PACKAGES

| PART NO | QTY/PKG | WEIGHT (kg) | USE WITH | USAGE |
|------------|---------|-------------|-----------|---------------------|
| 06EA900132 | 1 | 0.5 | #6 Wire | All 06T Compressors |
| 06EA900102 | 1 | 0.5 | #4 Wire | All 06T Compressors |
| 06EA900112 | 1 | 0.5 | #2 Wire | All 06T Compressors |
| 06EA900122 | 1 | 0.5 | #1/0 Wire | All 06T Compressors |

Package Contents: (6) Ring Terminal to connect power wiring to compressor terminal studs, plus (3) spare (2-hole) jumper bars.