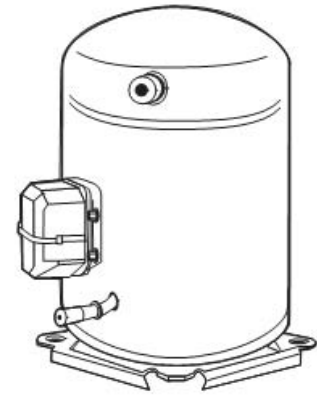


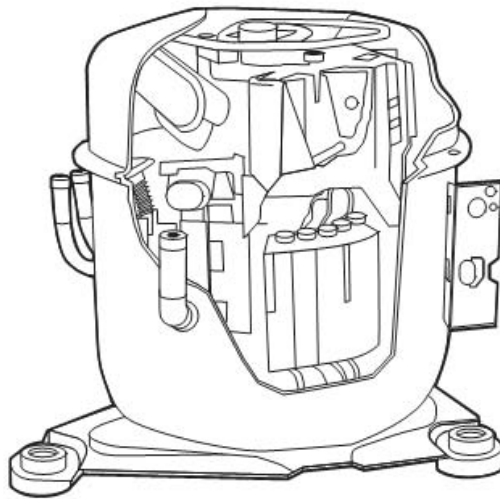
P4516



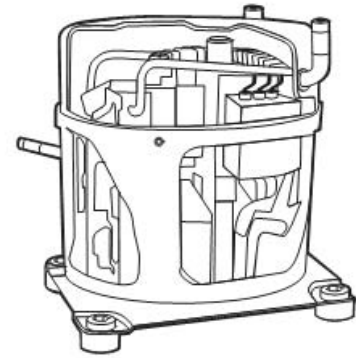
P4519



P4517



P4518



P4520

# TECUMSEH HERMETIC COMPRESSORS

## TECUMSEH HERMETIC COMPRESSOR NOMENCLATURE

EXAMPLE:

AE	A	4	4	40	Y	XA
COMPRESSOR FAMILY	RELEASE VARIANT (Generation)	APPLICATION	NUMBER OF DIGITS IN RATED BTU CAPACITY	FIRST TWO DIGITS IN RATED BTU CAPACITY	REFRIGERANT	VOLTAGE

AE  
AG  
AH  
AJ  
AK  
AN  
AV  
AW  
AZ  
RG  
RK  
SA  
SF  
TP  
HG  
TM  
TH

A = 1st  
B = 2nd  
C = 3rd  
ECT.

In this example (4) total digits, with the first two (40), or 4,000 BTU capacity.

**PRIMARY REFRIGERANTS**  
 A = R-12  
 B = R-410A  
 C = R-407C  
 E = R-22  
 F = R-417a  
 J = R-502  
 Y = R-134a  
 Z = R-404A/R-507

PRIMARY APPLICATION PARAMETERS		
EVAP. TEMPERATURE	RATING PT.	MOTOR STARTING TORQUE
1. Low	-10° F	Normal
2. Low	-10° F	High
3. High	+45° F	Normal
4. High	+45° F	High
5. Air Cond.	+45° F	Normal
6. Medium	+20° F	Normal
7. Medium	+20° F	High
8. Air Cond.	+49° F	Normal
9. Commercial	+20° F	High
0. Commercial	+20° F	Normal
A. Medium/Low	+20° F	Normal

VOLTAGE CODES
XA = 115-60-1; 100-50-1
XB = 230-60-1; 200-50-1
XC = 220-240-50-1
XD = 208-230-60-1; 200-50-1
XF = 208-230-60-3; 200-240-50-3
XG = 460-60-3; 380-420-50-3
XH = 575-60-3; 480-520-50-3
XN = 208-230-60-1; 200-220-50-1
XP = 220-60-1; 200-50-1
XT = 200-230-60-3; 200-220-50-3
XU = 100-60-1; 100-50-1
XV = 265-60-1
AB = 115-60-1; 90-50-1
VA = 265-60-1; 240-220-50-1

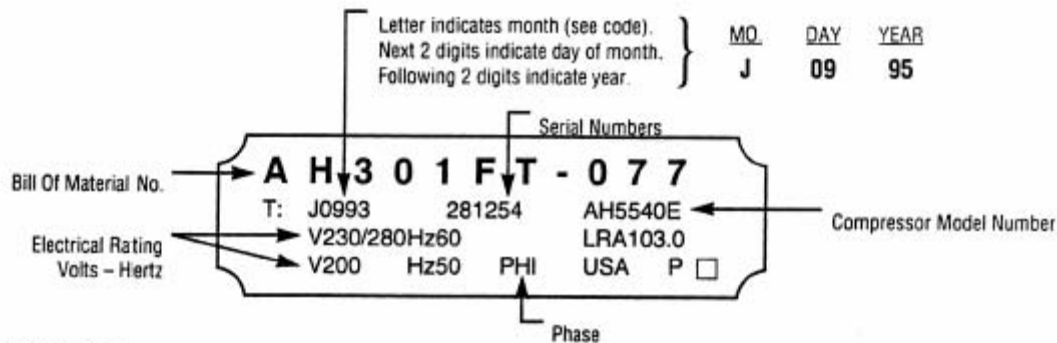
NOTE: For explanations of voltages not listed, contact Tecumseh Products Company

TECUMSEH HERMETIC COMPRESSORS

### SERIAL PLATE INFORMATION

The only source for complete compressor information is on the compressor serial plate. This plate is usually spot-welded on the upper shell of the compressor and describes the compressor characteristics exactly.

### TYPICAL SERIAL PLATE



#### MONTH CODES:

January - A	February - B	March - C	April - D	May - E	June - F
July - G	August - H	September - J	October - K	November - L	December - M

# TECUMSEH HERMETIC COMPRESSORS

## TECUMSEH COMPRESSOR REFERENCE CHART

**AC & HEAT PUMP (Evap Range +20 to +55) Rating Point 45° Evap. 130° Cond.**

Model No	DESCRIPTION	VOLT-PH	REF	HP*	RATED BTU/HR	MOTOR TORQUE	OPT	ESP RELAY PART NO	ESP O/L PART NO	LINE SIZES (in)		
										Disch	Suct	LP KIT PART NO
AE230BT-401-J7	AEA5460EXA	115-60-1	R-22	1/2	6,000	Normal	*	P82965*†	P83739-1	1/4 S	3/8 S	LP4
RG121AR-550-J7	RGAS460EXA	115-60-1	R-22	1/2	6,000	Normal	*	P82965*†	P83512	5/16 S	3/8 S	LP96
AK120AT-004-J7	AKA5470EXA	115-60-1	R-22	3/4	7,000	Normal	*	P82965*†	P83530	1/4 S	3/8 S	LP4
AK130AT-004-J7	AKA5483EXA	115-60-1	R-22	3/4	8,300	Normal	*	P82965*†	P83515	1/4 S	3/8 S	LP4
AK130ET-004-J7	AKA5483EXD	230/208-60-1	R-22	3/4	8,300	Normal	*	P82965*†	P83509	1/4 S	3/8 S	LP4
RG151AR-552-J7	RGAS480EXA	115-60-1	R-22	3/4	8,100	Normal	*	P82965*†	P83725-1	5/16 S	3/8 S	LP96
RK124AT-020-J7	RKA5490EXA	115-60-1	R-22	3/4	9,200	Normal	*	P82965*†	P83543	5/16 S	1/2 S	LP96
RK124ET-020-J7	RKA5490EXD	230/208-60-1	R-22	3/4	9,100	Normal	--	--	P83509	5/16 S	1/2 S	LP96
RK124JB-020-J7	RKA5490EXV	265-60-1	R-22	3/4	9,100	Normal	--	--	P83739-1	5/16 S	1/2 S	LP96
AK100AT-004-J7	AKA5510EXA	115-60-1	R-22	1	10,000	Normal	*	P82965*†	P83528	1/4 S	3/8 S	LP4
AK100ET-004-J7	AKA5510EXD	230/208-60-1	R-22	1	10,000	Normal	*	P82965*†	P83333	1/4 S	3/8 S	LP4
AK100JB-004-J7	AKA5510EXV	265-60-1	R-22	1	10,000	Normal	*	P82965*†	P83531	1/4 S	3/8 S	LP4
AK110AT-004-J7	AKA5511EXA	115-60-1	R-22	1	11,000	Normal	*	P82965*†	P83527	1/4 S	3/8 S	LP4
AK111AT-004-J7	AKA5512EXA	115-60-1	R-22	1	12,000	Normal	*	P82969*†	P83527	1/4 S	3/8 S	LP4
AK111ET-004-J7	AKA5512EXD	230/208-60-1	R-22	1	12,000	Normal	*	P82969*†	P83529	1/4 S	3/8 S	LP4
AK111JB-004-J7	AKA5512EXV	265-60-1	R-22	1	12,000	Normal	*	P82969*†	P83907-1	1/4 S	3/8 S	LP4
RG181AR-554-J7	RGAS510EXA	115-60-1	R-22	1	10,300	Normal	*	P82965*†	P83544	5/16 S	1/2 S	LP96
RK147AT-021-J7	RKA5512EXA	115-60-1	R-22	1	11,700	Normal	--	--	P83544	5/16 S	1/2 S	LP96
RK147ET-021-J7	RKA5512EXD	230/208-60-1	R-22	1	11,700	Normal	--	--	P83605	5/16 S	1/2 S	LP96
RK147JB-021-J7	RKA5512EXV	265-60-1	R-22	1	11,750	Normal	--	--	P83531	5/16 S	1/2 S	LP96
RK160AT-024-J7	RKB5513EXA	115-60-1	R-22	1	13,000	Normal	--	--	P83545	5/16 S	3/8 S	LP96
AJ600FT-205-J7	AJB5515EXD	230/208-60-1	R-22	1-1/4	15,000	Normal	*	P82965*†	P83991-1	5/16 S	3/8 S	LP15
AJ600JB-205-J7	AJB5515EXV	265-60-1	R-22	1-1/4	15,000	Normal	*	P82969*†	P83263	5/16 S	3/8 S	LP15
AW700ET-111-J7	AWG5515EXN	230/208-60-1	R-22	1-1/4	15,200	Normal	*	NA	--	3/8 S	1-1/4 R	LP99
AW700RT-121-J7	AWG5515EXT	230/200-60-3	R-22	1-1/4	15,500	3 PH	--	--	--	3/8 S	1-1/4 R	LP99
RK225AT-026-J7	RKC5515EXA	115-60-1	R-22	1-1/4	15,500	Normal	--	--	--	5/16 S	1/2 S	LP96
RK222ET-022-J7	RKA5515EXD	230/208-60-1	R-22	1-1/4	15,500	Normal	--	--	P83725-1	5/16 S	5/8 S	LP96
RK222JB-022-J7	RKA5515EXV	265-60-1	R-22	1-1/4	15,500	Normal	--	--	P83739-1	5/16 S	5/8 S	LP96
AJ210FT-206-J7	AJA5517EXD	230/208-60-1	R-22	1-1/2	16,600	Normal	*	P82965*†	P83523	5/16 S	3/8 S	LP15
AJ200JB-206-J7	AJA5518EXV	265-60-1	R-22	1-1/2	18,500	Normal	*	P82969*†	P83991-1	5/16 S	3/8 S	LP15
AJ222FT-206-J7	AJC5519EXD	230/208-60-1	R-22	1-1/2	19,300	Normal	*	P82965*†	P83527	5/16 S	1/2 S	LP15
AW702ET-093-J7	AWG5519EXN	230/208-60-1	R-22	1-1/2	18,800	Normal	*	P82960*†	--	3/8 S	3/4 S	LP99
RK233ET-022-J7	RKA5518EXD	230/208-60-1	R-22	1-1/2	17,700	Normal	--	--	P83515	5/16 S	5/8 S	LP96
AW703RT-121-J7	AWG5520EXT	230/200-60-3	R-22	1-3/4	20,000	3 PH	--	--	--	3/8 S	1-1/4 R	LP147
AW505TT-090-J7	AWF5524EXG	460-60-3	R-22	2	24,400	3 PH	--	--	--	3/8 S	3/4 S	LP99
AW505RT-098-J7	AWF5524EXT	230/200-60-3	R-22	2	24,400	3 PH	--	--	--	3/8 S	3/4 S	LP99
AW705ET-093-J7	AWG5524EXN	230/208-60-1	R-22	2	24,200	Normal	*	P82965*†	--	3/8 S	3/4 S	LP99
AW705RT-120-J7	AWG5524EXT	230/200-60-3	R-22	2	23,600	3 PH	--	--	--	3/8 S	5/8 S	LP99
AW706ET-093-J7	AWG5528EXN	230/208-60-1	R-22	2-1/4	28,000	Normal	*	P82965*†	--	3/8 S	3/4 S	LP99
AV113ET-026-J7	AVA5532EXN	230/208-60-1	R-22	2-1/2	32,000	Normal	*	P82966*†	--	1/2 S	7/8 S	LP99
AW508TT-090-J7	AWF5530EXG	460-60-3	R-22	2-1/2	29,700	3 PH	--	--	--	3/8 S	3/4 S	LP99
AW508RT-098-J7	AWF5530EXT	230/200-60-3	R-22	2-1/2	29,700	3 PH	--	--	--	3/8 S	3/4 S	LP99
AW509RT-098-J7	AWF5532EXT	230/200-60-3	R-22	2-1/2	31,600	3 PH	--	--	--	3/8 S	3/4 S	LP99
AW707ET-093-J7	AWG5530EXN	230/208-60-1	R-22	2-1/2	31,500	Normal	*	P82965*†	--	3/8 S	3/4 S	LP99
AW707RT-120-J7	AWG5530EXT	230/200-60-3	R-22	2-1/2	28,900	3 PH	--	--	--	3/8 S	5/8 S	LP147
AW708ET-093-J7	AWG5532EXN	230/208-60-1	R-22	2-1/2	31,500	Normal	*	P82965*†	--	3/8 S	3/4 S	LP99
AV122ET-029-J7	AVA5535EXN	230/208-60-1	R-22	2-3/4	35,200	Normal	*	P82966*†	--	1/2 S	7/8 S	LP99
AV123RT-027-J7	AVA5535EXT	230/200-60-3	R-22	2-3/4	35,200	3 PH	--	--	--	1/2 S	7/8 S	LP99
AV134TT-036-J7	AVA5538EXG	460-60-3	R-22	3	38,400	3 PH	--	--	--	1/2 S	7/8 S	LP99
AV133ET-030-J7	AVA5538EXN	230/208-60-1	R-22	3	38,400	Normal	*	P82966*†	--	1/2 S	7/8 S	LP99
AV134RT-035-J7	AVA5538EXT	230/200-60-3	R-22	3	38,400	3 PH	--	--	--	1/2 S	7/8 S	LP99
AV145TT-036-J7	AVA5542EXG	460-60-3	R-22	3-1/2	42,500	3 PH	--	--	--	1/2 S	7/8 S	LP99
AV144ET-034-J7	AVA5542EXN	230/208-60-1	R-22	3-1/2	42,500	Normal	*	P82966*†	--	1/2 S	7/8 S	LP99
AV145RT-035-J7	AVA5542EXT	230/200-60-3	R-22	3-1/2	42,500	3 PH	--	--	--	1/2 S	7/8 S	LP99
AV169TT-036-J7	AVA5546EXG	460-60-3	R-22	3-3/4	46,500	3 PH	--	--	--	1/2 S	7/8 S	LP99
AV169RT-035-J7	AVA5546EXT	230/200-60-3	R-22	3-3/4	46,500	3 PH	--	--	--	1/2 S	7/8 S	LP99
AV178TT-043-J7	AVB5549EXG	460-60-3	R-22	4	48,000	3 PH	--	--	--	1/2 S	7/8 S	LP99
AV178ET-041-J7	AVB5549EXN	230/208-60-1	R-22	4	48,000	Normal	*	P82966	--	1/2 S	7/8 S	LP99
AV178RT-046-J7	AVB5549EXT	230/200-60-3	R-22	4	48,000	3 PH	--	--	--	1/2 S	7/8 S	LP99

**TECUMSEH HERMETIC COMPRESSORS**

\*Optional. †SAK2 start assist can be used in place of relay S/Cap.  
 ‡SSR3 relay can be used as an alternate if S/Cap is not used. \* Tables are sorted by compressor HP in ascending order

# TECUMSEH HERMETIC COMPRESSORS

## TECUMSEH COMPRESSOR REFERENCE CHART

**AC & HEAT PUMP (Evap Range +20 to +55) Rating Point 45° Evap. 130° Cond.**

Model No	DESCRIPTION	VOLT-PH	REF	HP*	RATED BTU/HR	MOTOR TORQUE	OPT	ESP RELAY PART NO	ESP O/L PART NO	LINE SIZES (in)		
										Disch	Suct	LP KIT PART NO
AG122ET-003-J7	AGA5553EXN	230/208-60-1	R-22	4-1/2	54,000	3 PH	*	P82966†	--	1/2 S	7/8 S	LP29
AG122RT-003-J7	AGA5553EXT	230/200-60-3	R-22	4-1/2	54,000	3 PH	--	--	--	1/2 S	7/8 S	LP29
AG122UT-003-J7	AGC5553EXG	460-60-3	R-22	4-1/2	54,000	Normal	--	--	--	1/2 S	7/8 S	LP29
AV190ET-047-J7	AVB5558EXN	230/208-60-1	R-22	4-3/4	57,500	3 PH	*	P82966*	--	1/2 S	7/8 S	LP99
AV190RT-045-J7	AVB5558EXT	230/200-60-3	R-22	4-3/4	57,000	3 PH	--	--	--	1/2 S	7/8 S	LP99
AV191TT-055-J7	AVD5558EXG	460-60-3	R-22	4-3/4	57,600	Normal	--	--	--	1/2 S	7/8 S	LP99
AG133ET-001-J7	AGA5561EXN	230/208-60-1	R-22	5	61,000	3 PH	*	P82966†	--	1/2 S	7/8 S	LP29
AG133RT-003-J7	AGA5561EXT	230/200-60-3	R-22	5	61,000	3 PH	--	--	--	1/2 S	7/8 S	LP29
AG133UT-003-J7	AGC5561EXG	460-60-3	R-22	5	61,000	Normal	--	--	--	1/2 S	7/8 S	LP29
AG144ET-002-J7	AGA5568EXN	230/208-60-1	R-22	5-1/2	68,000	3 PH	*	P82966†	--	1/2 S	7/8 S	LP29
AG144RT-001-J7	AGA5568EXT	230/200-60-3	R-22	5-1/2	68,000	3 PH	--	--	--	1/2 S	7/8 S	LP29
AG144UT-001-J7	AGC5568EXG	460-60-3	R-22	5-1/2	68,000	3 PH	--	--	--	1/2 S	7/8 S	LP29
TM107UT-001-J7	TMA5572EXG	460-60-3	R-22	6	70,150	3 PH	--	--	--	3/4	7/8	--
TM107RT-001-J7	TMA5572EXT	230/200-60-3	R-22	6	70,150	3 PH	--	--	--	3/4	7/8	--
TM100UT-002-J7	TMA5610EXG	460-60-3	R-22	9	95,850	3 PH	--	--	--	7/8	1-1/8	--
TM100RT-002-J7	TMA5610EXT	230/200-60-3	R-22	9	95,850	3 PH	--	--	--	7/8	1-1/8	--
TM103UT-002-J7	TMA5612EXG	460-60-3	R-22	10-1/2	124,650	3 PH	--	--	--	7/8	1-1/8	--
TM103RT-003-J7	TMA5612EXT	230-200-60-3	R-22	10-1/2	124,650	3 PH	--	--	--	7/8	1-1/8	--
TM102UT-002-J7	TMA5615EXG	460-60-3	R-22	12	139,920	3 PH	--	--	--	7/8	1-1/8	--
TM102RT-002-J7	TMA5615EXT	230-200-60-3	R-22	12	139,920	3 PH	--	--	--	7/8	1-1/8	--

**COMMERCIAL TEMP (Evap Range -10 to +45) Rating Point 20° Evap., 130° Cond.**

Model No	DESCRIPTION	VOLT-PH	REF	HP*	RATED BTU/HR	MOTOR TORQUE	ESP RELAY PART NO	ESP O/L PART NO	LINE SIZES (in)		
									Disch	Suct	LP KIT PART NO
AZ430CR-235-J7	AZA0370YXA	115-60-1	R-134a	1/12	700	Normal	P82926	P83535	3/16 S	5/16 S	LP2
AZ440CR-236-J7	AZA0395YXA	115-60-1	R-134a	1/8	950	Normal	P82927	P83536	3/16 S	5/16 S	LP2
AE162AT-907-J7	AEA9415EXA	115-60-1	R-22	1/5	1530	High	P82928	P83532	1/4 S	5/16 S	LP3
AE570AT-907-J7	AEA9415ZXA	115-60-1	R-404A	1/5	1490	High	P82928	P83503	1/4 S	5/16 S	LP3
AE172AT-900-J7	AEA9422EXA	115-60-1	R-22	1/4	2200	High	P82473	P83503	1/4 S	5/16 S	LP3
AE590AT-900-J7	AEA9422ZXA	115-60-1	R-404A	1/4	2200	High	P82473	P83542	1/4 S	5/16 S	LP3
AK174AT-038-J7	AKA9427ZXA	115-60-1	R-404A	1/3	2700	High	P82498-1	P83546	1/4 S	3/4 R	LP15
AK164AT-038-J7	AKA9428EXA	115-60-1	R-22	1/3	2800	High	P82498-1	P83548	1/4 S	3/4 R	LP15
AK164ET-038-J7	AKA9428EXD	230/208-60-1	R-22	1/3	2800	High	P82484-1	P83532	1/4 S	3/4 R	LP15
AK159AT-038-J7	AKA9434AXA	115-60-1	R-12	1/2	3350	High	P82498-1	P83514	1/4 S	3/4 R	LP15
AK175AT-038-J7	AKA9438ZXA	115-60-1	R-404A	1/2	3750	High	P82498-1	P83991-	1/4 S	3/4 R	LP15
AK175ET-038-J7	AKA9438ZXD	230/208-60-1	R-404A	1/2	3750	High	P82961	P83532	1/4 S	3/4 R	LP118
AK163AT-038-J7	AKA9441AXA	115-60-1	R-12	1/2	4100	High	P82498-1	P83514	1/4 S	3/4 R	LP15
AK165AT-038-J7	AKA9442EXA	115-60-1	R-22	1/2	4200	High	P82498-1	P83549	1/4 S	3/4 R	LP15
AK165ET-038-J7	AKA9442EXD	230/208-60-1	R-22	1/2	4200	High	P82961	P83509	1/4 S	3/4 R	LP118
AK167ET-038-J7	AKA9455EXD	230/208-60-1	R-22	3/4	5500	High	P82961	P83739-	1/4 S	3/4 R	LP118
AK171AT-038-J7	AKA9455ZXA	115-60-1	R-404A	3/4	5450	High	P82965	P83544	1/4 S	3/4 R	LP118
AK171ET-038-J7	AKA9455ZXD	230/208-60-1	R-404A	3/4	5450	High	P82961	P83739-	1/4 S	3/4 R	LP118
AK166ET-038-J7	AKA9462EXD	230/208-60-1	R-22	3/4	6200	High	P82961	P83739-	1/4 S	3/4 R	LP118
AK172AT-038-J7	AKA9462ZXA	115-60-1	R-404A	3/4	6250	High	P82965	P83539	1/4 S	3/4 R	LP118
AK172ET-038-J7	AKA9462ZXD	230/208-60-1	R-404A	3/4	6250	High	P82960	P83530	1/4 S	3/4 R	LP118
AJ801ET-418-J7	AJA9484EXD	230/208-60-1	R-22	1	8400	High	P82960	P83548	5/16 S	1/2 S	LP15

\*Optional.

†SAK2 start assist can be used in place of relay S/Cap.

‡SSR3 relay can be used as an alternate if S/Cap is not used.

\* Tables are sorted by compressor HP in ascending order

**TECUMSEH HERMETIC COMPRESSORS**

# TECUMSEH HERMETIC COMPRESSORS

## TECUMSEH COMPRESSOR REFERENCE CHART (cont)

HIGH TEMP (Evap Range +20 to +55) Rating Point 45° Evap., 130° Cond.

Model No	DESCRIPTION	VOLT-PH	REF	HP*	RATED BTU/HR	MOTOR TORQUE	OPT	ESP RELAY PART NO	ESP O/L PART NO	LINE SIZES (in)		LP KIT PART NO
										Disch	Suct	
AE121AL-014-J7	AEA3414AXA	115-60-1	R-12	1/6	1450	Normal	*	P82654‡	P83601	3/16 S	1/4 S	LP3
AE500AT-048-J7	AEA3414YXA	115-60-1	R-134a	1/6	1400	Normal	*	P82654‡	P83601	3/16 S	1/4 S	LP3
AE160AL-727-J7	AEA3417AXA	115-60-1	R-12	1/5	1850	Normal	*	P82927‡	P83601	1/4 S	5/16 S	LP3
AE170AL-726-J7	AEA3425AXA	115-60-1	R-12	1/5	2600	Normal	*	P82627‡	P83458	1/4 S	5/16 S	LP3
AE530AT-165-J7	AEA3425YXA	115-60-1	R-134a	1/5	2500	Normal	*	P82635‡	P83458	3/16 S	1/4 S	LP3
AE151AS-277-J7	AEA3430AXA	115-60-1	R-12	1/4	3100	Normal	*	P82928‡	P83458	1/4 S	5/16 S	LP3
AE510AT-280-J7	AEA3430YXA	115-60-1	R-134a	1/4	3000	Normal	*	P82928‡	P83458	1/4 S	5/16 S	LP3
AE155AS-238-J7	AEA4430AXA	115-60-1	R-12	1/4	3100	High	--	P82928	P83940	1/4 S	3/8 RF	LP3
AE540AT-238-J7	AEA4430YXA	115-60-1	R-134a	1/4	3000	High	--	P82928	P83532	1/4 S	3/8 RF	LP3
AE231AS-717-J7	AEA3440AXA	115-60-1	R-12	1/3	4100	Normal	*	P82929‡	P83509	1/4 S	5/16 S	LP3
AE635AT-725-J7	AEA3440YXA	115-60-1	R-134a	1/3	4000	Normal	*	P82929	P83739-1	1/4 S	5/16 S	LP15
AE234AS-668-J7	AEA4440AXA	115-60-1	R-12	1/3	4100	High	--	P82929	P83509	1/4 S	3/8 RF	LP3
AE234AS-717-J7	AEA4440AXA	115-60-1	R-12	1/3	4100	High	--	P82929	P83509	1/4 S	5/16 S	LP3
AE630AR-717-J7	AEA4440YXA	115-60-1	R-134a	1/3	3960	High	--	P82929	P83509	1/4 S	5/16 S	LP3
AE630AT-668-J7	AEA4440YXA	115-60-1	R-134a	1/3	3960	High	--	P82929	P83509	1/4 S	3/8 RF	LP3
AE630ET-725-J7	AEA4440YXD	230/208-60-1	R-134a	1/3	3960	High	--	--	P83537	1/4 S	5/16 S	LP3
AE256AL-663-J7	AEA4448AXA	115-60-1	R-12	1/3	4800	High	--	P82473	P83669	1/4 S	3/8 RF	LP3
AE660AT-724-J7	AEA4448YXA	115-60-1	R-134a	1/3	4650	High	--	P82473	P83530	1/4 S	5/16 S	LP15
AJ311AT-126-J7	AJA4461AXA	115-60-1	R-12	1/2	6,100	High	--	P82481-1	P83529	1/4 S	3/8 S	LP63
AJ311AT-141-J7	AJA4461AXA	115-60-1	R-12	1/2	6,100	High	--	P82481-1	P83991-1	5/16 S	3/4 R	LP22
AJ311FT-141-J7	AJA4461AXD	230/208-60-1	R-12	1/2	6,100	High	--	P82484-1	P83928	5/16 S	3/4 R	LP22
AK168AT-032-J7	AKA4460YXA	115-60-1	R-134a	1/2	6,300	High	--	P82498-1	P83548	1/4 S	3/8 S	LP15
AK168AT-038-J7	AKA4460YXA	115-60-1	R-134a	1/2	6,300	High	--	P82498-1	P83548	1/4 S	3/4 R	LP15
AK168ET-038-J7	AKA4460YXD	230/208-60-1	R-134a	1/2	6,300	High	--	P82983	P83532	1/4 S	3/4 R	LP15
AK169AT-038-J7	AKA4476YXA	115-60-1	R-134a	1/2	7,680	High	--	P82498-1	P83544	1/4 S	3/4 R	LP15
AK169ET-038-J7	AKA4476YXD	230/208-60-1	R-134a	1/2	7,680	High	--	P82983	P83605	1/4 S	3/4 R	LP15
AJ100AT-193-J7	AJA4492AXA	115-60-1	R-12	3/4	9,150	High	--	P82958	P83735-1	5/16 S	1 R	LP14
AJ100GT-193-J7	AJA4492AXD	230/208-60-1	R-12	3/4	9,150	High	--	P82935	P83529	5/16 S	1 R	LP14
AJ150AT-193-J7	AJA4492YXA	115-60-1	R-134a	3/4	9,000	High	--	P82958	P83735-1	5/16 S	1 R	LP14
AJ150GT-193-J7	AJA4492YXD	230/208-60-1	R-134a	3/4	9,000	High	--	P82935	P83529	5/16 S	1 R	LP14
AJ131GT-193-J7	AJA4512AXD	230/208-60-1	R-12	1	12,300	High	--	P82960	P83725-1	5/16 S	1 R	LP51
AJ137ET-193-J7	AJA4512YXD	230/208-60-1	R-134a	1	12,100	High	--	P82960	P83530	5/16 S	1 R	LP51
AH110FF-504-J7	AHA4518AXD	230/208-60-1	R-12	1-1/2	18,000	High	--	P82965	--	3/8 S	1-1/4 R	LP7
AH222RF-505-J7	AHA4518AXF	230/208-60-3	R-12	1-1/2	18,000	3 PH	--	--	--	3/8 S	1-1/4 R	LP7
AH222TF-505-J7	AHA4518AXG	460-60-3	R-12	1-1/2	18,000	3 PH	--	--	--	3/8 S	1-1/4 R	LP7
AW703FT-111-J7	AWG4520EXN	230/208-60-1	R-22	1-3/4	20,500	High	--	P82960	--	3/8 S	1-1/4 R	LP147
AH300FF-505-J7	AHA4525AXD	230/208-60-1	R-12	2	25,500	High	--	P82965	--	3/8 S	1-1/4 R	LP7
AH303RF-505-J7	AHA4525AXF	230/208-60-3	R-12	2	25,500	3 PH	--	--	--	3/8 S	1-1/4 R	LP7
AH303TF-505-J7	AHA4525AXG	460-60-3	R-12	2	25,500	3 PH	--	--	--	3/8 S	1-1/4 R	LP7
AW705FT-099-J7	AWG4524EXN	230/208-60-1	R-22	2	24,200	High	--	P82965	--	3/8 S	5/8 S	LP99
AH261RT-097-J7	AHA4531EXF	230/208-60-3	R-22	2-1/2	31,000	3 PH	--	--	--	3/8 S	3/4 S	LP5
AW707FT-099-J7	AWG4530EXN	230/208-60-1	R-22	2-1/2	30,200	High	--	P82961	--	3/8 S	5/8 S	LP99
AG155ET-017-J7	AGA4534AXN	230/208-60-1	R-12	3	33,700	High	--	P82966	--	1/2 S	1-1/4 R	LP29
AG155RT-017-J7	AGA4534AXT	230/200-60-3	R-12	3	33,700	PH	--	--	--	1/2 S	1-1/4 R	LP29
AV144FT-001-J7	AVA4542EXN	230/208-60-1	R-22	3-1/2	42,500	High	--	P82966	--	1/2 S	7/8 S	LP99
AG166ET-017-J7	AGA4543AXN	230/208-60-1	R-12	3-3/4	43,000	High	--	P82966	--	1/2 S	1-1/4 R	LP29
AG166RT-017-J7	AGA4543AXT	230/200-60-3	R-12	3-3/4	43,000	3 PH	--	--	--	1/2 S	1-1/4 R	LP29

\*Optional.

‡SAK2 start assist can be used in place of relay S/Cap.

‡SSR3 relay can be used as an alternate if S/Cap is not used.

\* Tables are sorted by compressor HP in ascending order

TECUMSEH HERMETIC COMPRESSORS

# TECUMSEH HERMETIC COMPRESSORS

## TECUMSEH COMPRESSOR REFERENCE CHART (cont)

LOW TEMP (Evap Range -40 to +10) Rating Point -10° Evap., 130° Cond.

Model No	DESCRIPTION	VOLT-PH	REF	HP*	RATED BTU/HR	MOTOR TORQUE	OPT	ESP RELAY PART NO	ESP O/L PART NO	LINE SIZES (in)		LP KIT PART NO
										Disch	Suct	
AE120AT-014-J7	AEA1336AXA	115-60-1	R-12	1/8	375	Normal	*	P82925†	P83541	3/16 S	1/4 S	LP3
AE504AT-015-J7	AEA1338YXA	115-60-1	R-134a	1/8	380	Normal	--	P82654‡	--	3/16 S	1/4 S	LP2
AE130AT-015-J7	AEA1343AXA	115-60-1	R-12	1/6	450	Normal	*	P82654†	P83480	3/16 S	1/4 S	LP3
AE140AT-723-J7	AEA1360AXA	115-60-1	R-12	1/5	650	Normal	*	P82927†	P83601	1/4 S	5/16 S	LP3
AE810AT-166-J7	AEA1360YXA	115-60-1	R-134a	1/5	640	Normal	--	P82927†	P83535	3/16 S	1/4 S	LP3
TP104AR-003-J7	TPA1380YXA	115-60-1	R-134a	1/5	870	Normal	--	P82999	P83599	1/4 S	5/16 S	LP123
TP101AR-003-J7	TPA1390YXA	115-60-1	R-134a	1/5	970	Normal	--	P82999	P83599	1/4 S	5/16 S	LP123
AE232AT-721-J7	AEA1410AXA	115-60-1	R-12	1/4	1050	Normal	--	P82472†	P83509	1/4 S	5/16 S	LP54
AE210AT-603-J7	AEA1411EXA	115-60-1	R-22	1/4	1200	Normal	--	P82928	P83458	1/4 S	5/16 S	LP3
AE560AT-916-J7	AEA2380ZXA	115-60-1	R-404A	1/4	750	High	--	P82940	P83458	1/4 S	5/16 S	LP3
AE235AT-670-J7	AEA2410AXA	115-60-1	R-12	1/4	1050	High	--	P82940	P83458	1/4 S	3/8 RF	LP3
AE600AT-944-J7	AEA2410YXA	115-60-1	R-134a	1/4	1020	High	--	P82473	P83533	1/4 S	1/4 S	LP3
AE820AT-900-J7	AEA2411ZXA	115-60-1	R-404A	1/4	1100	High	--	P82473	P83503	1/4 S	5/16 S	LP3
AE150CR-774-J7	AEB1380AXA	115-60-1	R-12	1/4	820	Normal	--	--	NA	1/4 S	5/16 S	LP3
AE236AR-775-J7	AEB1411AXA	115-60-1	R-12	1/4	1075	Normal	--	NA	NA	1/4 S	5/16 S	LP3
TP102AR-003-J7	TPA1410YXA	115-60-1	R-134a	1/4	1100	Normal	--	P82999	P83599	1/4 S	5/16 S	LP123
AE230AT-650-J7	AEA1415EXA	115-60-1	R-22	1/3	1500	Normal	--	P82930	P83510	1/4 S	1/4 S	LP3
AE255AT-671-J7	AEA2413AXA	115-60-1	R-12	1/3	1300	High	--	P82940	P83532	1/4 S	3/8 RF	LP3
AE700AT-939-J7	AEA2413YXA	115-60-1	R-134a	1/3	1350	High	--	P82473	P83533	1/4 S	5/16 S	LP3
AE334AR-663-J7	AEA2415AAB	115-60-1	R-12	1/3	1525	High	--	P82473	P83533	1/4 S	3/8 RF	LP3
AE334AT-944-J7	AEA2415AAB	115-60-1	R-12	1/3	1525	High	--	P82473	P83533	1/4 S	1/4 S	LP3
AJ312AT-141-J7	AJA2416AXA	115-60-1	R-12	1/3	1525	High	--	P82935	P83533	5/16 S	3/4 R	LP23
AJ135AT-336-J7	AJA2419YXA	115-60-1	R-134a	1/2	1860	High	--	P82957	P83547	5/16 S	3/4 R	LP22
AJ303AT-336-J7	AJA2419ZXA	115-60-1	R-404A	1/2	1865	High	--	P82957	P83547	5/16 S	3/4 R	LP22
AJ601AT-336-J7	AJA2425AXA	115-60-1	R-12	1/2	2200	High	--	P82959	P83960	5/16 S	3/4 R	LP22
AJ601FT-336-J7	AJA2425AXD	230/208-60-1	R-12	1/2	2200	High	--	P82488-1	P83988	5/16 S	3/4 R	LP22
AJ532AT-336-J7	AJA2425ZXA	115-60-1	R-404A	1/2	2450	High	--	P82963	P83548	5/16 S	3/4 R	LP22
AJ532ET-336-J7	AJA2425ZXD	230/208-60-1	R-404A	1/2	2450	High	--	P82960	P83669	5/16 S	3/4 R	LP22
AH400EF-504-J7	AHA2435AXD	230/208-60-1	R-12	3/4	3,400	High	--	P82939	--	3/8 S	1-1/4 R	LP8
AJ604AF-436-J7	AJB2433ZXA	115-60-1	R-404A	3/4	3,410	High	--	NA	NA	5/16 S	3/8 S	LP63
AJ604EF-436-J7	AJB2433ZXD	230/208-60-1	R-404A	3/4	3,330	High	--	NA	NA	5/16 S	3/8 S	LP63
AH410EF-504-J7	AHA2445AXD	230/208-60-1	R-12	1	4,400	High	--	P82938	--	3/8 S	1-1/4 R	LP8
AH446RF-505-J7	AHA2445AXF	230/208-60-3	R-12	1	4,400	3 PH	--	--	--	3/8 S	1-1/4 R	LP8
AW610ET-111-J7	AWA2440ZXD	230/208-60-1	R-404A	1	3,775	High	--	P82965	--	3/8 S	1-1/4 R	LP99
AW610RT-121-J7	AWA2440ZXT	230/200-60-3	R-404A	1	3,600	3 PH	--	--	--	3/8 S	1-1/4 R	LP99
AW615ET-111-J7	AWA2450ZXD	230/208-60-1	R-404A	1-1/4	4,600	High	--	P82965	--	3/8 S	1-1/4 R	LP147
AW615RT-121-J7	AWA2450ZXT	230/200-60-3	R-404A	1-1/4	4,800	3 PH	--	--	--	3/8 S	1-1/4 R	LP147
AH500EF-505-J7	AHA2466AXD	230/208-60-1	R-12	1-1/2	6,600	High	--	P82961	--	3/8 S	1-1/4 R	LP7
AH500RF-505-J7	AHA2466AXF	230/208-60-3	R-12	1-1/2	6,600	3 PH	--	--	--	3/8 S	1-1/4 R	LP7
AW613ET-099-J7	AWA2460ZXD	230/208-60-1	R-404A	1-1/2	6,300	High	--	P82965	--	3/8 S	5/8 S	LP99
AW613ET-111-J7	AWA2460ZXD	230/208-60-1	R-404A	1-1/2	6,300	High	--	P82965	--	3/8 S	1-1/4 R	LP147
AW613RT-120-J7	AWA2460ZXT	230/200-60-3	R-404A	1-1/2	6,000	3 PH	--	--	--	3/8 S	5/8 S	LP99
AW613RT-121-J7	AWA2460ZXT	230/200-60-3	R-404A	1-1/2	6,000	3 PH	--	--	--	3/8 S	1-1/4 R	LP147
AV195ET-037-J7	AVA2490ZXD	230/208-60-1	R-404a	2-1/4	9,500	High	--	P82966	--	1/2 S	7/8 S	LP99
AV195RT-037-J7	AVA2490ZXT	230/200-60-3	R-404a	2-1/4	9,000	3 PH	--	--	--	1/2 S	7/8 S	LP99
AV180TT-013-J7	AVA2512ZXD	460-60-3	R-404A	3	12,500	3 PH	--	--	--	1/2 S	7/8 S	LP99
AV180ET-001-J7	AVA2512ZXD	230/208-60-1	R-404A	3	12,500	High	--	--	--	1/2 S	7/8 S	LP99
AV180RT-012-J7	AVA2512ZXT	230/200-60-3	R-404A	3	12,500	3 PH	--	--	--	1/2 S	7/8 S	LP99

**TECUMSEH HERMETIC COMPRESSORS**

\*Optional.

†SAK2 start assist can be used in place of relay S/Cap.

‡SSR3 relay can be used as an alternate if S/Cap is not used.

\* Tables are sorted by compressor HP in ascending order

# TECUMSEH HERMETIC COMPRESSORS

## TECUMSEH COMPRESSOR REFERENCE CHART (cont)

MEDIUM TEMP (Evap Range -10 to +30) Rating Point 20° Evap., 130° Cond.

Model No	DESCRIPTION	VOLT-PH	REF	HP*	RATED BTU/HR	MOTOR TORQUE	RELAY PART NO	O/L PART NO	LINE SIZES (in)		LP KIT PART NO
									Disch	Suct	
AJ530AT-336-J7	AJA7441AXA	115-60-1	R-12	1/2	4,400	High	P82498-1	P83656-1	5/16 S	3/4 R	LP22
AJ530FT-336-J7	AJA7441AXD	230/208-60-1	R-12	1/2	4,400	High	P82934	P83531	5/16 S	3/4 R	LP22
AJ250AT-188-J7	AJA7461YXA	115-60-1	R-134a	3/4	6,110	High	P82957	P83735-1	5/16 S	1 R	LP14
AJ250GT-188-J7	AJA7461YXD	230/208-60-1	R-134a	3/4	6,110	High	P82935	P83512	5/16 S	1 R	LP14
AJ201AT-188-J7	AJA7465AXA	115-60-1	R-12	3/4	6,650	High	P82957	P83735-1	5/16 S	1 R	LP14
AJ201AT-426-J7	AJA7465AXA	115-60-1	R-12	3/4	6,650	High	P82957	P83735-1	3/8 S	1/2 S	LP15
AJ201GT-188-J7	AJB7465AXD	230/208-60-1	R-12	3/4	6,650	High	P82481-1	P83512	5/16 S	1 R	LP14
AJ201GT-426-J7	AJB7465AXD	230/208-60-1	R-12	3/4	6,650	High	P82481-1	P83512	3/8 S	1/2 S	LP15
AH160FF-504-J7	AHA7480AXD	230/208-60-1	R-12	1	8,000	High	P82961	--	3/8 S	1-1/4 R	LP8
AH256RF-505-J7	AHA7480AXF	230/208-60-3	R-12	1	8,000	3 PH	--	--	3/8 S	1-1/4 R	LP8
AJ202ET-188-J7	AJA7494ZXD	230/208-60-1	R-404A	1-1/4	9,350	High	P82960	--	5/16 S	1 R	LP14
AW614ET-111-J7	AWA7490ZXD	230/208-60-1	R-404A	1-1/4	9,000	High	P82960	--	3/8 S	1-1/4 R	LP99
AH313RF-505-J7	AHA7511AXF	230/208-60-3	R-12	1-1/2	12,000	3 PH	--	--	3/8 S	1-1/4 R	LP7
AH245RT-169-J7	AHA7513ZXF	230/208-60-3	R-404A	1-1/2	13,200	3 PH	--	--	3/8 S	1-1/4 R	LP7
AH311GF-505-J7	AHB7511AXD	230/208-60-1	R-12	1-1/2	12,000	High	P82965	--	3/8 S	1-1/4 R	LP7
AW611ET-111-J7	AWA7512ZXD	230/208-60-1	R-404A	1-1/2	11,600	High	P82965	--	3/8 S	1-1/4 R	LP99
AW611RT-121-J7	AWA7512ZXT	230/200-60-3	R-404A	1-1/2	11,500	3 PH	--	--	3/8 S	1-1/4 R	LP99
AH333EF-505-J7	AHA7514AXD	230/208-60-1	R-12	1-3/4	14,000	High	P82965	--	3/8 S	1-1/4 R	LP7
AH334RF-505-J7	AHA7514AXF	230/208-60-3	R-12	1-3/4	14,000	3 PH	--	--	3/8 S	1-1/4 R	LP7
AW612ET-111-J7	AWA7515ZXD	230/208-60-1	R-404A	2	15,400	High	P82966	--	3/8 S	1-1/4 R	LP99
AW612RT-121-J7	AWA7515ZXT	230/200-60-3	R-404A	2	15,200	3 PH	--	--	3/8 S	1 1/4 R	LP99
AV179ET-001-J7	AVA7524ZXD	230/208-60-1	R-404A	3	24,000	High	P82966	--	1/2 S	7/8 S	LP99
AV179RT-012-J7	AVA7524ZXT	230/200-60-3	R-404A	3	24,000	3 PH	--	--	1/2 S	7/8 S	LP99

\*Optional.

†SAK2 start assist can be used in place of relay S/Cap.

‡SSR3 relay can be used as an alternate if S/Cap is not used.

- Tables are sorted by compressor HP in ascending order

## TECUMSEH COMMERCIAL TEMP SCROLL COMPRESSORS



PART NO	Tecumseh R-404A Commercial Temp Scroll Compressors					
	Model:	Voltage:	Nominal	"A"	"B"	"C"
				Btuh:		
14950132	VSA9490ZTB	208-230-60-3	9,000	14.4"	9.4"	13.4"
14949422	VSA9514ZTB	208-230-60-3	14,000	14.4"	9.4"	13.4"
14949994	VSA9514ZNA	208-230-60-1	14,000	14.4"	9.4"	13.4"
14949421	VSA9517ZNA	208-230-60-1	17,000	15.6"	10.9"	14.6"
14950133	VSA9517ZTB	208-230-60-3	17,000	15.4"	10.4"	14.4"
14949995	VSA9521ZTB	208-230-60-3	21,000	15.4"	10.4"	14.4"
14949996	VSA9524ZTB	208-230-60-3	24,000	15.7"	10.9"	14.6"
14950028	VSA9528ZXT	208-230-60-3	28,000	15.7"	10.9"	14.6"
14943329	VSA9536ZXT	208-230-60-3	36,000	20.0"	12.3"	18.7"
14943328	VSA9544ZXT	208-230-60-3	44,000	20.0"	12.3"	18.7"

TECUMSEH HERMETIC COMPRESSORS