

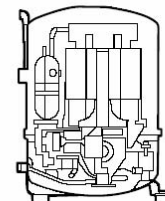
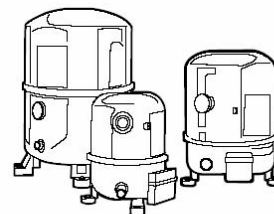
DANFOSS-MANEUROP

RECIPROCATING COMPRESSORS

RECIPROCATING COMPRESSORS — TYPE MT/MTZ

INTRODUCTION

Maneurop reciprocating compressors are designed for residential and light commercial air conditioning applications as well as refrigeration applications. Thanks to the very large internal volume, large oil sump, the sturdy design of compressor parts and its 100% suction gas cooled motor, the Maneurop reciprocating compressor has proven its ability to withstand the most harsh conditions where other compressors may fail.

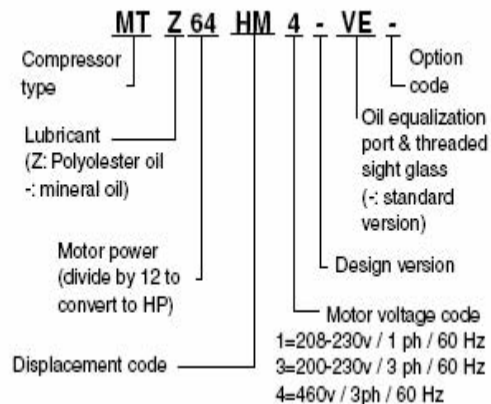


Serial Number Nomenclature

Format: AB CC DDDDDDD

Where A = year built, B = month built, CC = Factory code, DDDDDDD = Serial number Example: MC 10 5264747 = compressor built in March 2001 at Trevoux factory

Year	Month	Factory Code
F = 1995	A = Jan	10 = Trevoux, France
G = 1996	B = Feb	11 = Anse, France
H = 1997	C = March	14 = Lawrenceville, GA
J = 1998	D = April	
K = 1999	E = May	
L = 2000	F = June	
M = 2001	G = July	
N = 2002	H = Aug	
P = 2003	J = Sept	
Q = 2004	K = Oct	
	L = Nov	
	M = Dec	



DANFOSS-MANEUROP

DANFOSS-MANEUROP

RECIPROCATING COMPRESSORS

RECIPROCATING COMPRESSORS — TYPE MT/MTZ(cont)

PART NO	AVAILABLE MOTOR CODES*	DISCHARGE CONN(in)	SUCTION CONN(in)	HP	LRA	MT-R 22			MTZ-R 407C			MTZ-R 134a			MTZ-R 404A/507A			MCC	SHIP WT(lb)
						kW	Btuh	EER	kW	Btuh	EER	kW	Btuh	EER	kW	Btuh	EER		
MT/MTZ18	1,3,4	1	1	1.5	51	1.74	15,900	9.15	1.67	15,300	9.13	1.22	11,200	9.2	1.76	10,300	5.1	13	50
MT/MTZ22	1,3,4	1	1-1/4	2	49.3	2.27	22,000	9.68	2.17	19,600	9	1.54	14,800	9.63	2.05	14,100	6.01	17	50
MT/MTZ28	1,3,4	1	1-1/4	2.5	81	3.07	30,200	9.86	2.83	25,100	8.9	2.04	19,300	9.42	2.68	18,300	5.96	25	55
MT/MTZ32	1,3,4	1	1-1/4	2.75	84	3.58	33,000	9.22	3.21	28,400	8.86	2.39	20,900	8.76	2.99	20,100	5.85	26.5	60
MT/MTZ36	1,3,4	1	1-1/4	3	84	4.05	38,000	9.38	3.75	32,700	8.73	2.75	24,500	8.91	3.34	23,200	6.05	30	60
MT/MTZ40	1,3,4	1	1-1/4	3.5	99	4.63	42,900	9.27	4.33	37,400	8.64	3.08	27,900	9.03	3.77	26,400	6.11	34	60
MT/MTZ44	1,3,4	1-1/4	1-3/4	4	97	4.67	45,200	9.69	4.37	43,000	9.84	3.14	29,800	9.51	4.18	27,800	6.65	31	85
MT/MTZ50	1,3,4	1-1/4	1-3/4	4.5	114	5.18	50,500	9.74	4.96	48,100	9.71	3.6	34,500	9.57	4.83	32,500	6.73	36	85
MT/MTZ56	1,3,4,7	1-1/4	1	5	146	6.05	56,400	9.32	5.67	54,300	9.59	3.95	38,000	9.62	5.44	36,500	6.71	46	90
MT/MTZ64	1,3,4	1-1/4	1-3/4	5.5	148	6.8	64,800	9.53	6.36	60,400	9.5	4.68	45,300	9.66	6.12	41,500	6.78	53	90
MT/MTZ72	3,4	1-1/4	1-3/4	6	135	7.58	70,100	9.26	7.22	67,900	9.41	5.19	50,000	9.63	6.91	46,500	6.72	31	90
MT/MTZ80	3,4	1-1/4	1-3/4	7	140	8.56	80,000	9.35	8.24	76,900	9.33	6	56,500	9.42	8.03	52,500	6.54	36	90
MT/MTZ100	3,4,7	1-1/4	1-3/4	9	157	9.59	95,900	10	9.9	94,400	9.53	6.5	63,900	9.84	8.72	60,800	6.07	43	145
MT/MTZ125	3,4,7	1-1/4	1-3/4	10	210	12.81	124,600	9.73	12.62	122,100	9.67	7.72	78,900	10.22	11.37	78,400	6	54	150
MT/MTZ144	3,4,7	1-1/4	1-3/4	12	259	14.36	140,700	9.8	14.47	137,200	9.48	9.82	96,900	9.87	13	92,300	6.19	64	155
MT/MTZ160	3,4,7	1-1/4	1-3/4	13.5	259	16.09	156,800	9.75	16.67	155,100	9.31	10.92	107,600	9.85	14.74	100,300	5.93	70	165

*Motor Codes:

Code	Description
1	208-230V / 1ph / 60Hz
3	200-230V / 3ph / 60Hz
4	460V / 3ph / 60Hz
7	575V / 3ph / 60Hz

LEGEND

LRA — Locked Rotor Amps

MCC — Maximum Continuous Current (A)

NOTES: Ratings at ARI conditions for R-134a/R-22/R-407C: 45°F evap, 130°F cond, 15°F subcooling, 20°F superheat.

Ratings at ARI conditions for R-404A/R-507: 20°F evap, 120°F cond, 15°F subcooling, 20°F superheat

DANFOSS-MANEUROP

RECIPROCATING COMPRESSORS

RECIPROCATING COMPRESSORS — TYPE MT/MTZ(contt)

Reciprocating Compressor Accessories

Part No	Description	COMPRESSOR TYPES AND SIZES																														
		Type MT / MTZ														Type LT / LTZ																
		18	22	28	32	36	40	44	50	56	64	72	80	100	125	144	160	22	28	44	50	88	100									
Rotolock valves																																
6804500	Rotolock 1 in, R x 3/8 in. S	X	X	X	X	X	X																		X	X						
6804501	Rotolock 1 in, R x 1/2 in. S	X	X	X	X	X	X																			X	X					
6804502	Rotolock 1-1/4 in. R x 5/8 in. S		X	X	X	X	X																			X	X					
6804503	Rotolock 1-1/4 in. R x 5/8 in. S		X	X	X	X	X	X	X	X	X	X	X	X	X	X	X	X	X	X	X	X	X	X	X	X	X	X	X	X	X	
6804504	Rotolock 1-1/4in.Rx7/8in.S		X	X	X	X	X	X	X	X	X	X	X	X	X	X	X	X	X	X	X	X	X	X	X	X	X	X	X	X	X	
6804505	Rotolock 1-3/4in.Rx7/8in.S							X	X	X	X	X	X	X	X	X	X	X	X	X	X	X	X	X	X	X	X	X	X	X	X	
6804506	Rotolock 1-3/4in.Rx1-1/8in.S							X	X	X	X	X	X	X	X	X	X	X	X	X	X	X	X	X	X	X	X	X	X	X	X	
6804010	Rotolock 1-3/4in.Rx1-3/8in.S							X	X	X	X	X	X	X	X	X	X	X	X	X	X	X	X	X	X	X	X	X	X	X	X	
8156009	Complete Teflon Gasket Kit	X	X	X	X	X	X	X	X	X	X	X	X	X	X	X	X	X	X	X	X	X	X	X	X	X	X	X	X	X	X	
Rotolock Solder Sleeves (non standard sizes)																																
Part No	Description	Type MT / MTZ														Type LT / LTZ																
8153012	1-1/4 in. R x 7/8 in. S		X	X	X	X	X	X	X	X	X	X	X	X	X	X	X	X	X	X	X	X	X	X	X	X	X	X	X	X		
8153003	1-3/4 in. R x 1-3/8 in. S							X	X	X	X	X	X	X	X	X	X	X	X	X	X	X	X	X	X	X	X	X	X	X		
Rotolock Nuts																																
Part No	Description	Type MT / MTZ														Type LT / LTZ																
A104174P01	1-1/4 in. Rotolock Nut		X	X	X	X	X	X	X	X	X	X	X	X	X	X	X	X	X	X	X	X	X	X	X	X	X	X	X	X		
A104174P02	1-3/4 in. Rotolock Nut							X	X	X	X	X	X	X	X	X	X	X	X	X	X	X	X	X	X	X	X	X	X	X		
A104174P03	1in. Rotolock Nut	X	X	X	X	X	X																		X	X						
Installation / Mounting Kits (* some mounting kits are voltage specific)																																
Part No	Description	Type MT / MTZ														Type LT / LTZ																
5710058P01	Mounting kits include mounting grommets, sleeves, nuts bolts washers, also included are solder sleeves, te on gaskets and installation instructions		X	X	X	X																				X	X					
5710058P02			X	X	X																											
5710058P03																																X
5710058P04									X	X	X	X	X															X				
5710058P05																																X
Crankcase Heaters																																
Part No	Description	Type MT / MTZ														Type LT / LTZ																
PTC	35 watt,200-600 volt	X	X	X	X	X	X	X	X	X	X	X	X	X	X	X	X	X	X	X	X	X	X	X	X	X	X	X	X	X		
Oil Sight Glass																																
Part No	Description	Type MT / MTZ														Type LT / LTZ																
6204001	Oil sight glass(all models)	X	X	X	X	X	X	X	X	X	X	X	X	X	X	X	X	X	X	X	X	X	X	X	X	X	X	X	X	X		
Acoustic Hoods																																
Part No	Description	Type MT / MTZ														Type LT / LTZ																
7755001	Acoustic Hoods	X	X	X	X	X	X																		X	X						
7755002	Acoustic Hoods							X	X	X	X	X	X														X	X				
7755003	Acoustic Hoods																X	X	X	X									X	X		

DANFOSS-MANEUROP

DANFOSS-MANEUROP

RECIPROCATING COMPRESSORS

RECIPROCATING COMPRESSORS — TYPE LT/LTZ

PART NO	AVAILABLE MOTOR CODES*	HP	R-404A/R-507A LTZ				R-502 LT				MCC	LRA	DISCHARGE CONN. (in.)	SUCTION CONN. (in.)	SHIP WT (lb)
			-10° F Evap		-30° F Evap		-10° F Evap		-30° F Evap						
			Kw	Btuh	Kw	Btuh	Kw	Btuh	Kw	Btuh					
LT/LTZ22	1,3,4	2	1-1/4	1.75	5,230	1.16	2,950	1.81	5,925	1.2	2,720	49.3	17	1	50
LT/LTZ28	1,3,4	2.5	1-1/4	2.58	7,890	1.7	4,510	2.71	9,805	1.8	5,385	81	25	1	50
LT/LTZ44	1,3,4	4	1-3/4	4.37	13,520	3.1	7,540	4.02	16,051	2.75	7,820	103	34	1-1/4	80
LT/LTZ50	1,3,4	4.5	1-3/4	5.46	17,470	3.93	10,360	5.33	19,027	3.65	10,420	143	37	1-1/4	85
LT/LTZ88	3,4	7.5	1-3/4	8.32	26,860	5.86	14,440	7.74	29,427	5.3	16,000	157	43	1-1/4	140
LT/LTZ100	3,4	9	1-3/4	10.56	35,480	7.23	19,930	10.32	38,911	7.25	22,615	210	54	1-1/4	150

*Motor Codes

Code	Description
1	208-230V / 1ph / 60Hz
3	200-230V / 3ph / 60Hz
4	460V / 3ph / 60Hz

LEGEND

LRA — Locked Rotor Amps

MCC — Maximum Continuous Current (A)

*Rated Condition: R-404A/R-507, -10°F Evap, 130°F Cond, 15°F subcooling, 20°F superheat.

**Rated Condition: R-404A/R-507, -30°F Evap, 120°F Cond, 15°F subcooling, 20°F superheat

